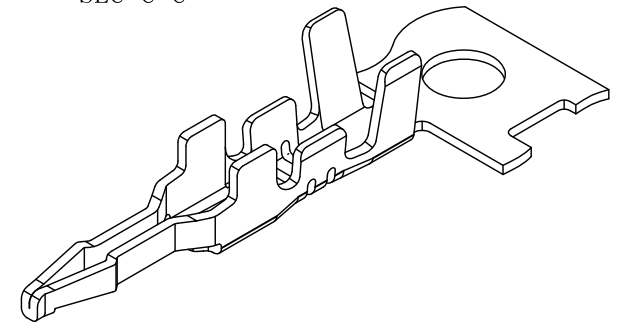
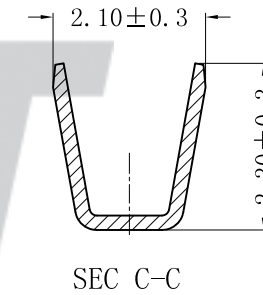
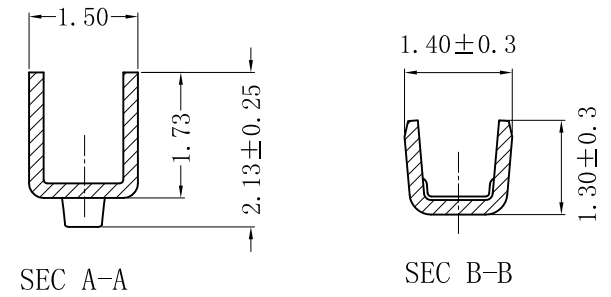
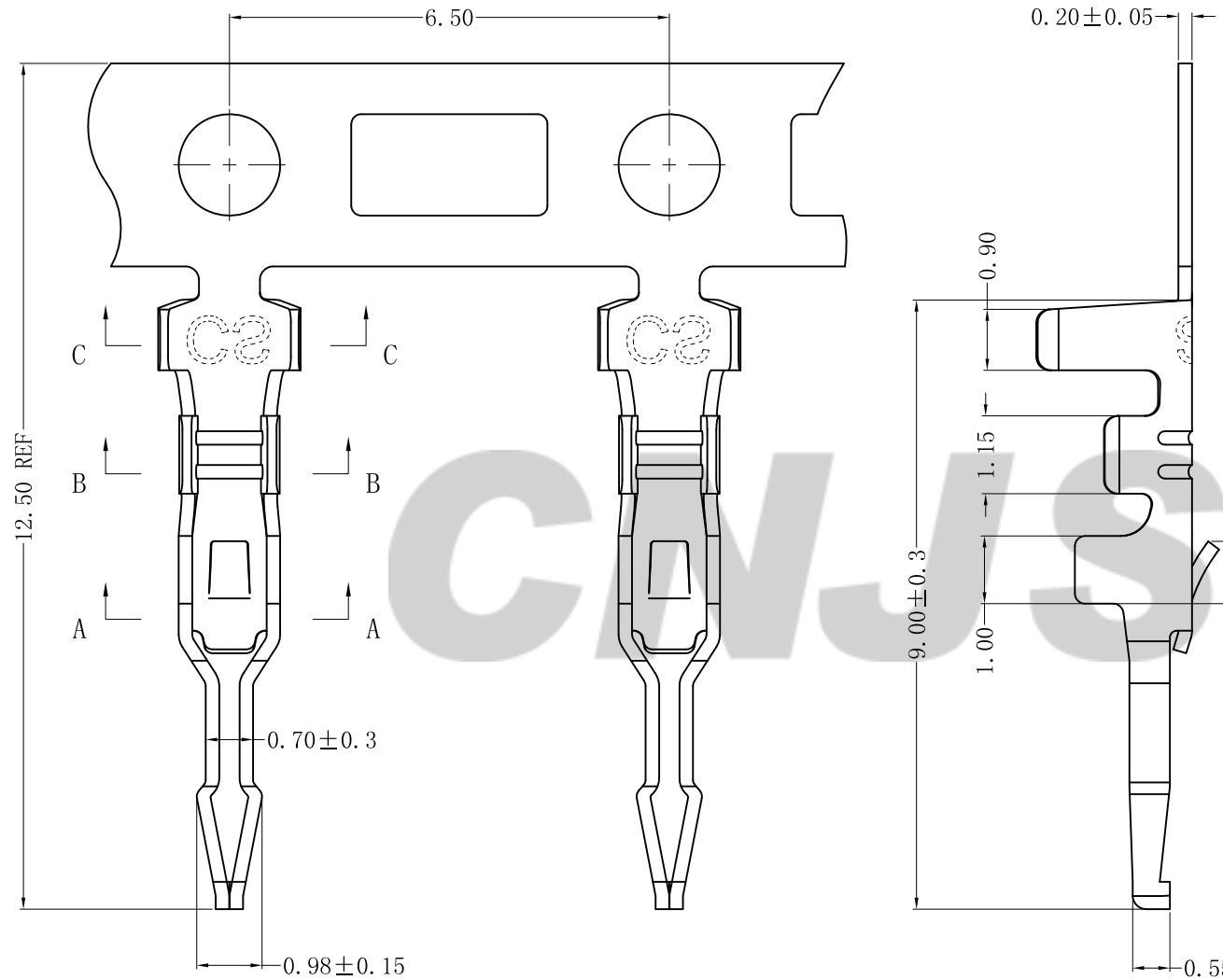


RoHS Compliant



Tolerance X.X ±0.30 X.XX ±0.20 X.XXX ±0.10 Angle ±3.0°	CNJST 捷仕泰企业		Drawn: 王丽君 2022.12.28
	Model No.: B2001T-PA-Z		Checked: 吴丹平
	Model Name: 2.00mm PITCH CRIMP TERMINAL		Approved: 林旭芝
	UNIT: mm		DWG NO. CNJST/GCDZ-0011
		SCALE: FULL	REVISION: C/0

REV.	DATE	DESCRIPTION	APPD.	Wire Range	Insulation O.D.	QTY/Reel	Material	Plating
C/0	2022.12.28	更新模板	王丽君					
B/0	2021.11.01	NEW RELEASE	王程伟	AWG #24~#30	1.30mm(max)	11,000Pcs	Phosphor Bronze	Tin