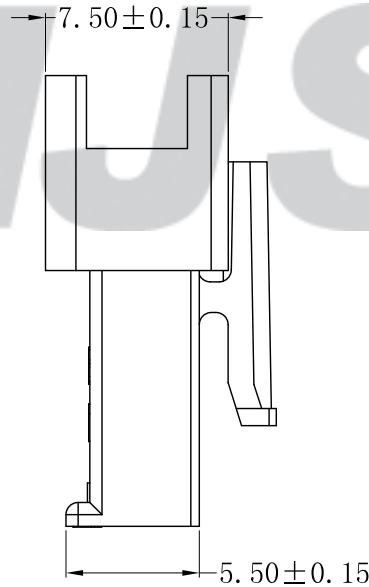
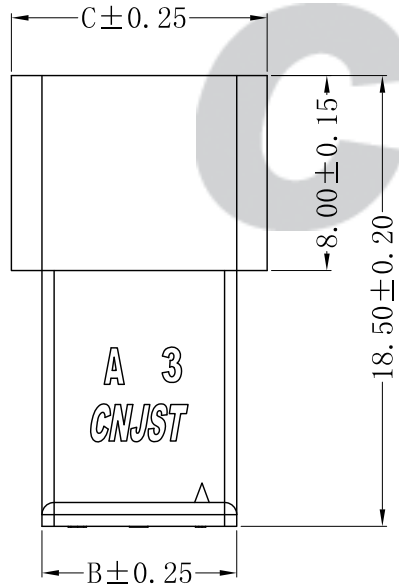
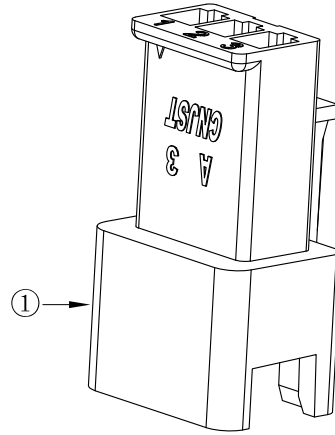
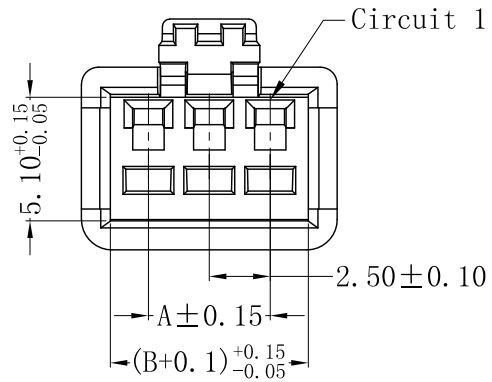


RoHS Compliant



SPECIFICATION

- 1 Contact resistance:  $\leq 10\text{m}\Omega$
- 2 Insulation resistance:  $\geq 500\text{M}\Omega$
- 3 Rated voltage: 250 V AC DC
- 4 Rated current: 3.0 A AC DC
- 5 Withstand Voltage: 1500V AC/minute
- 6 Temperature Range:  $-40^\circ\text{C} \sim +125^\circ\text{C}$

ORDER INFORMATION:

**C2501P-\*\*-A8K-P**

PART No.:		PACKAGING:
No. OF CIRCUITS:		P=PE
02~12		PLASTIC MATERIAL:
		A8K=PA66 (Black)

Circuits	Dimensions (mm)		
	A	B	C
02	2.50	5.50	8.00
03	5.00	8.00	10.50
04	7.50	10.50	13.00
05	10.00	13.00	15.50
06	12.50	15.50	18.00
07	15.00	18.00	20.50
08	17.50	20.50	23.00
09	20.00	23.00	25.50
10	22.50	25.50	28.00
11	25.00	28.00	30.50
12	27.50	30.50	33.00

专利产品

注: 建议客户优先选择我司公母端产品配套使用, 若在没有使用我司公母端配套产品情况下, 出现因产品不匹配的质量问题, 我司将不承担任何风险及责任。

Tolerance X.X ±0.30 X.XX ±0.20 X.XXX ±0.10 Angle ±3.0°	<b>CNJST 捷仕泰企业</b>		Drawn: <b>王程伟</b> 2022.08.20
	Model No.: C2501P-**-A8K-P		Checked: <b>吴丹平</b>
UNIT: mm	Model Name: 2.50mm PITCH HOUSING-PLUG		Approved: <b>林旭芝</b>
		SCALE: FULL	REVISION: C/0
			DWG NO. CNJST/GCCP-0132

REV.	DATE	DESCRIPTION	APPD.	NO.	DESCRIPTION	QTY	MATERIAL	PLATING/COLOR
C/0	2022.08.20	更新模板	王程伟					
B/0	2020.01.11	NEW RELEASE		①	Insulator	1	PA66 (UL94V-0)	Black