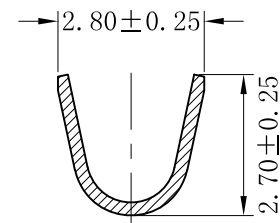
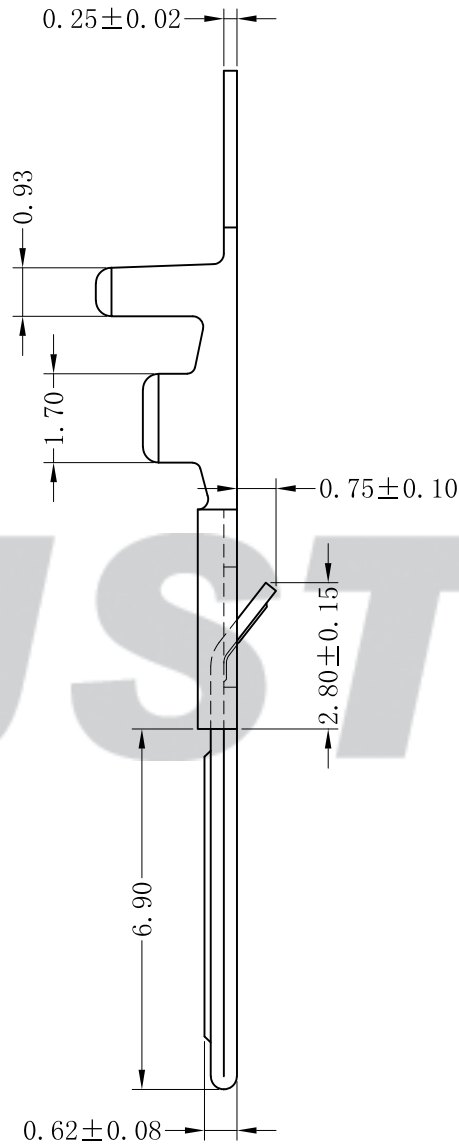
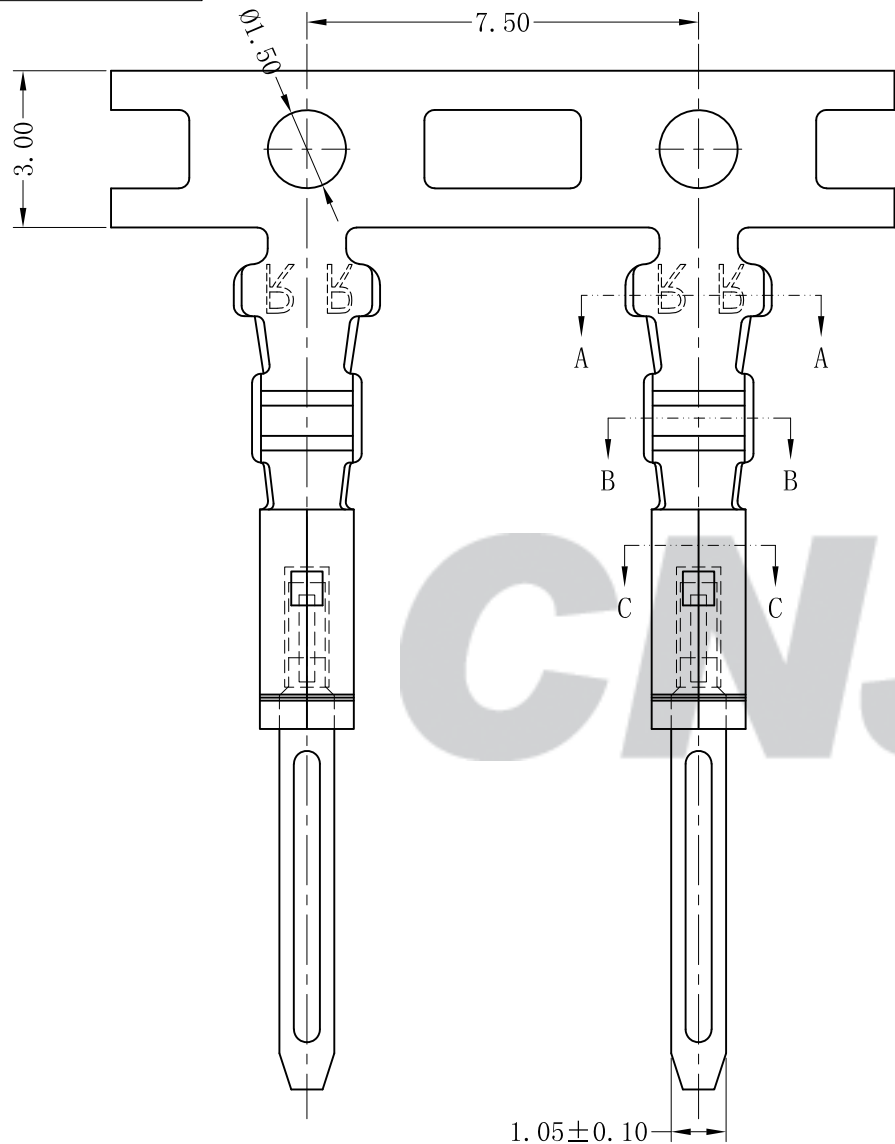
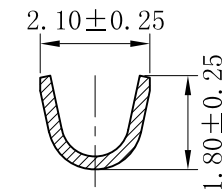


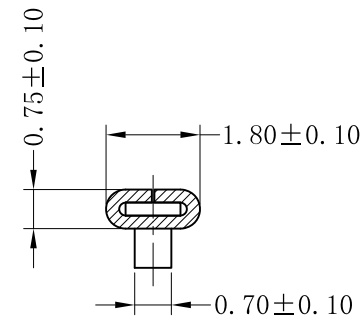
RoHS Compliant



SECTION A-A



SECTION B-B



SECTION C-C

注: 建议客户优先选择我司公母端产品配套使用, 若在没有使用我司公母端配套产品情况下, 出现因产品不匹配的质量问题, 我司将不承担任何风险及责任。

Tolerance
 X.X ±0.30
 X.XX ±0.20
 X.XXX ±0.10
 Angle ±3.0°

CNJST 捷仕泰企业

Drawn: 王程伟 2022.08.20

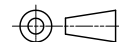
Model No.: C2501PT-PA-Z

Checked: 吴丹平

Model Name: 2.50mm PITCH CRIMP TERMINAL-MALE

Approved: 林旭芝

UNIT: mm



SCALE: FULL

REVISION: C/0

DWG NO. CNJST/GCDZ-0018

REV.	DATE	DESCRIPTION	APPD.	Wire Range	Insulation O.D.	QTY/Reel	Material	Plating
C/0	2022.08.20	更新模板	王程伟					
B/0	2020.01.11	NEW RELEASE		AWG #20~#28	1.70mm (Max)	7,500PCS	Phosphor Bronze	Tin-plated