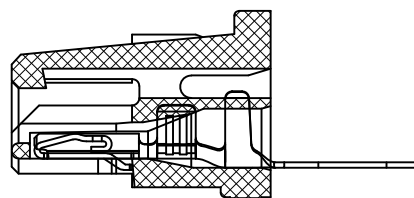
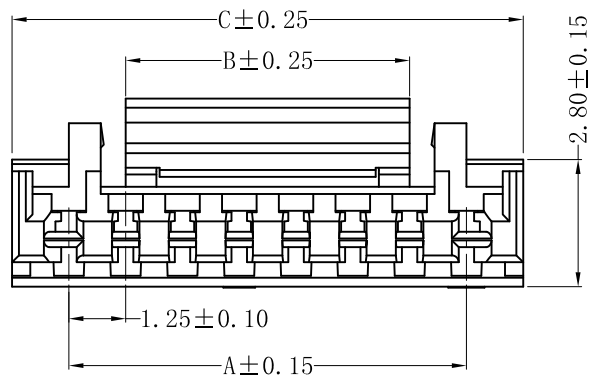


RoHS Compliant



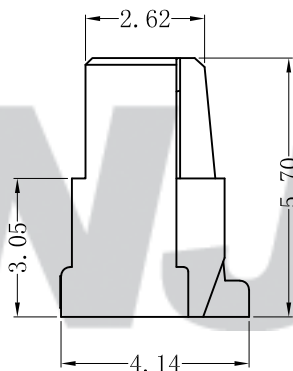
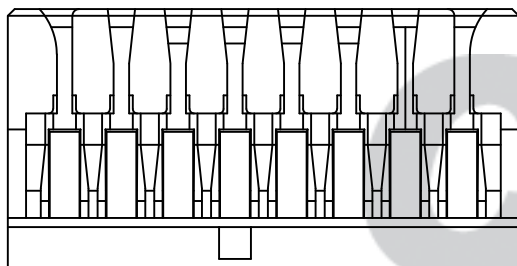
插线状态

SPECIFICATION

- 1 Contact resistance: $\leq 30\text{m}\Omega$
- 2 Insulation resistance: $\geq 100\text{M}\Omega$
- 3 Rated voltage: 150 V AC DC
- 4 Rated current: 1 A AC DC
- 5 Withstand Voltage: 500V AC/minute
- 6 Temperature Range: $-40^{\circ}\text{C} \sim +125^{\circ}\text{C}$

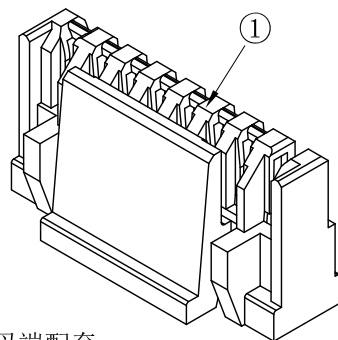
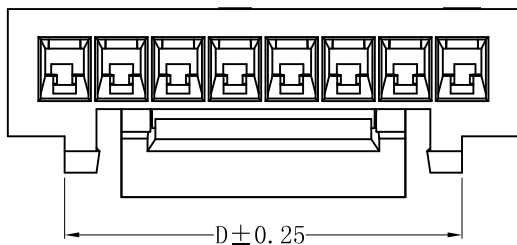
ORDER INFORMATION:

A1258Y--E1W-P**
 PART No. _____ PACKAGING: P=PE
 No. OF CIRCUITS: _____ PLASTIC MATERIAL: E1W=PBT (White)
 02~15



2P

| Circuits | Dimensions (mm) | | | |
|----------|-----------------|------|-------|-------|
| | A | B | C | D |
| 02 | 1.25 | 2.30 | 3.75 | |
| 03 | 2.50 | 3.20 | 5.00 | |
| 04 | 3.75 | 4.25 | 6.25 | |
| 05 | 5.00 | 4.25 | 7.50 | |
| 06 | 6.25 | 6.25 | 8.75 | |
| 07 | 7.50 | 6.25 | 10.00 | |
| 08 | 8.75 | 6.25 | 11.25 | 8.75 |
| 09 | 10.00 | 6.25 | 12.50 | 10.00 |
| 10 | 11.25 | 8.20 | 13.75 | 11.25 |
| 11 | 12.50 | 8.20 | 15.00 | 12.50 |
| 12 | 13.75 | 8.20 | 16.25 | 13.75 |
| 13 | 15.00 | 8.20 | 17.50 | 15.00 |
| 14 | 16.25 | 8.20 | 18.75 | 16.25 |
| 15 | 17.50 | 8.20 | 20.00 | 17.50 |



注: 建议客户优先选择我司公母端产品配套使用, 若在没有使用我司公母端配套产品情况下, 出现因产品不匹配的质量问题, 我司将不承担任何风险及责任。

专利产品

| REV. | DATE | DESCRIPTION | APPD. | NO. | DESCRIPTION | QTY | MATERIAL | PLATING/COLOR |
|------|------------|----------------------|-------|-----|-------------|-----|---------------|---------------|
| C/0 | 2022.09.19 | 更新模板 | 王丽君 | | | | | |
| B/1 | 2021.08.07 | 2P卡钩优化, 详见JST2021013 | 王程伟 | | | | | |
| B/0 | 2020.01.08 | NEW RELEASE | 王程伟 | ① | Insulator | 1 | PBT (UL94V-0) | White |

| | |
|-----------|-------|
| Tolerance | |
| X.X | ±0.30 |
| X.XX | ±0.20 |
| X.XXX | ±0.10 |
| Angle | ±3.0° |

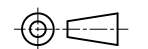
CNJST 捷仕泰企业

Model No.: A1258Y-**-E1W-P

Model Name: 1.25mm pitch Housing

| |
|-------------------------|
| Drawn: 王丽君 2022.09.19 |
| Checked: 吴丹平 |
| Approved: 林旭芝 |
| DWG NO. CNJST/GCCP-0273 |

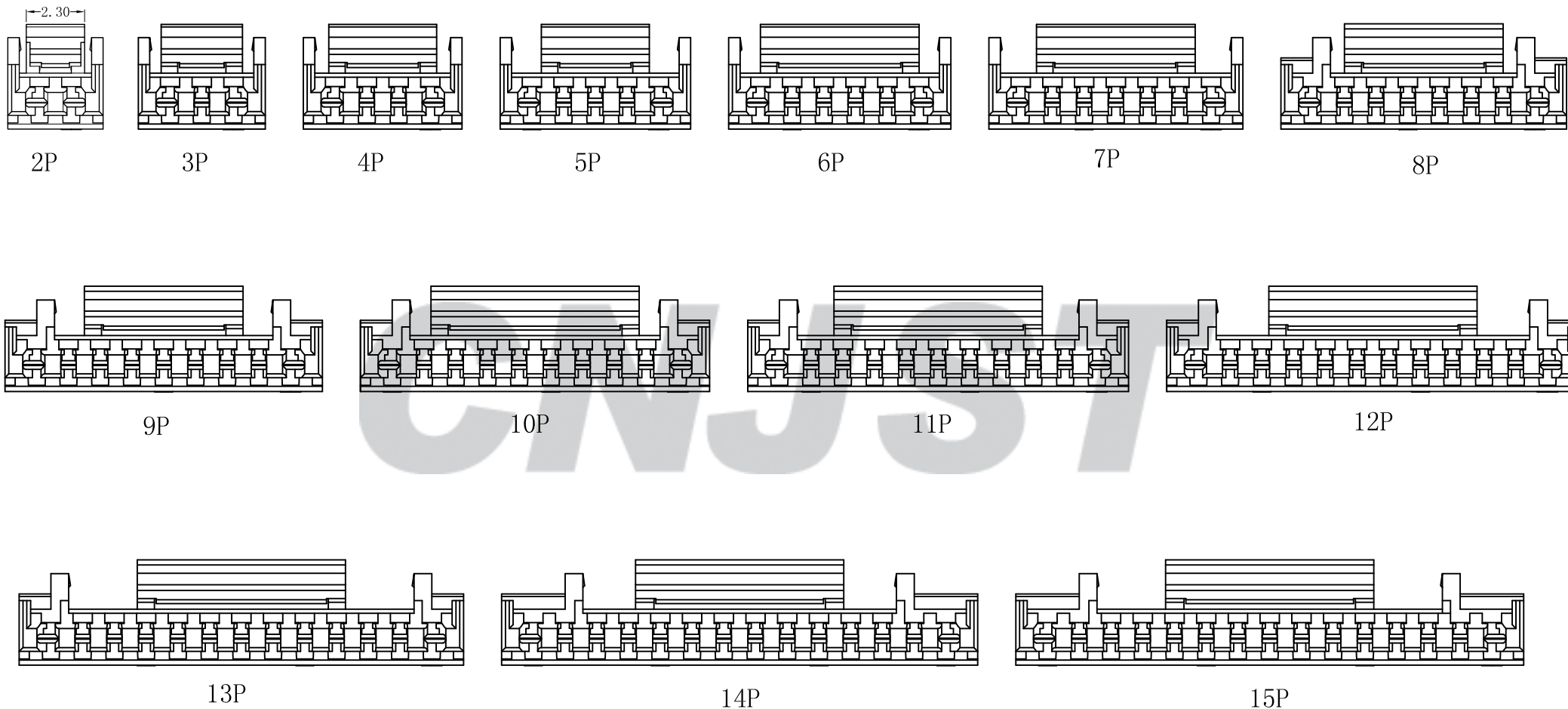
UNIT: mm



SCALE: FULL REVISION: C/0

RoHS Compliant

PIN位结构示意图:



注: 建议客户优先选择我司公母端产品配套使用, 若在没有使用我司公母端配套产品情况下, 出现因产品不匹配的质量问题, 我司将不承担任何风险及责任。

专利产品

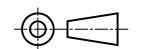
| | | | | | | | | |
|------|--------------|----------------------|-------|-----|-------------|-----|---------------|---------------|
| C/0 | 2022. 09. 19 | 更新模板 | 王丽君 | | | | | |
| B/1 | 2021. 08. 07 | 2P卡钩优化, 详见JST2021013 | 王程伟 | | | | | |
| B/0 | 2020. 01. 08 | NEW RELEASE | 王程伟 | ① | Insulator | 1 | PBT (UL94V-0) | White |
| REV. | DATE | DESCRIPTION | APPD. | NO. | DESCRIPTION | QTY | MATERIAL | PLATING/COLOR |

| | |
|-----------|-------|
| Tolerance | |
| X.X | ±0.30 |
| X.XX | ±0.20 |
| X.XXX | ±0.10 |
| Angle | ±3.0° |

| | |
|---------------------------------|--|
| CNJST 捷仕泰企业 | |
| Model No. :A1258Y-**-E1W-P | |
| Model Name:1.25mm pitch Housing | |

| |
|-------------------------|
| Drawn:王丽君 2022. 09. 19 |
| Checked: 吴丹平 |
| Approved: 林旭芝 |
| DWG NO. CNJST/GCCP-0273 |

UNIT: mm



SCALE:FULL REVISION:C/0