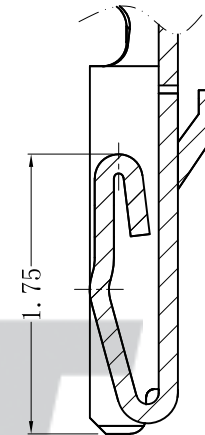
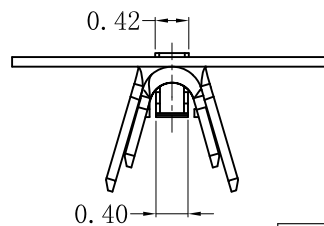
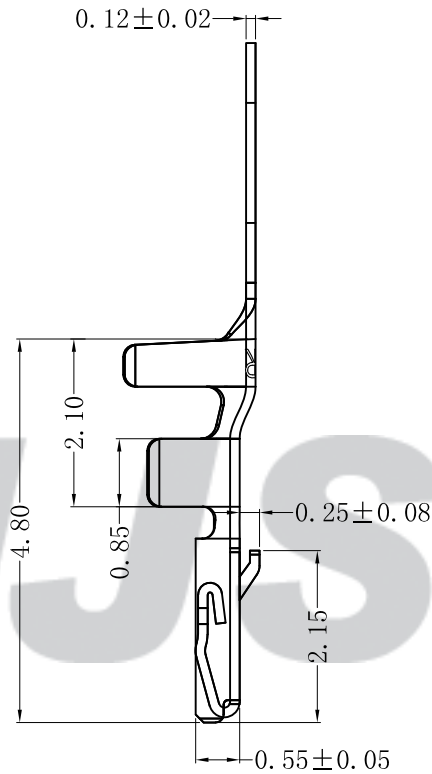
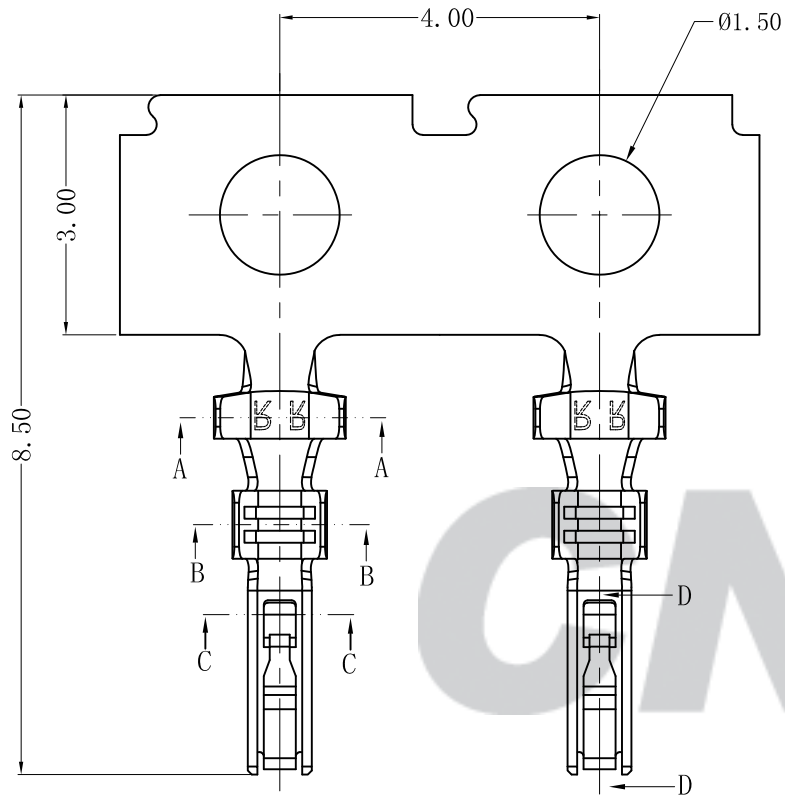
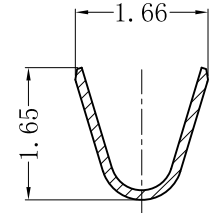


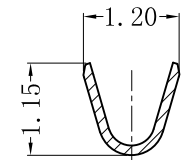
RoHS Compliant



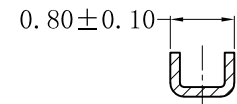
SEC:D-D  
SCALE: 2:1



SEC:A-A



SEC:B-B



SEC:C-C

Tolerance	
X.X	±0.30
X.XX	±0.20
X.XXX	±0.10
Angle	±3.0°

**CNJST** 捷仕泰企业

Drawn: 王丽君 2022.09.05

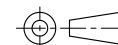
Model No.: A1258T-PA-Z

Checked: 吴丹平

Model Name: 1.25mm PITCH CRIMP TERMINAL

Approved: 林旭芝

UNIT: mm



SCALE: FULL

REVISION: C/0

DWG NO. CNJST/GCDZ-0066

C/0	2022.09.05	更新模板	王丽君					
B/0	2021.06.18	NEW RELEASE	王程伟	AWG #26~#30	1.00mm(max)	12,000PCS	Phosphor Bronze	Tin-plated
REV.	DATE	DESCRIPTION	APPD.	Wire Range	Insulation O.D.	QTY/Reel	Material	Plating