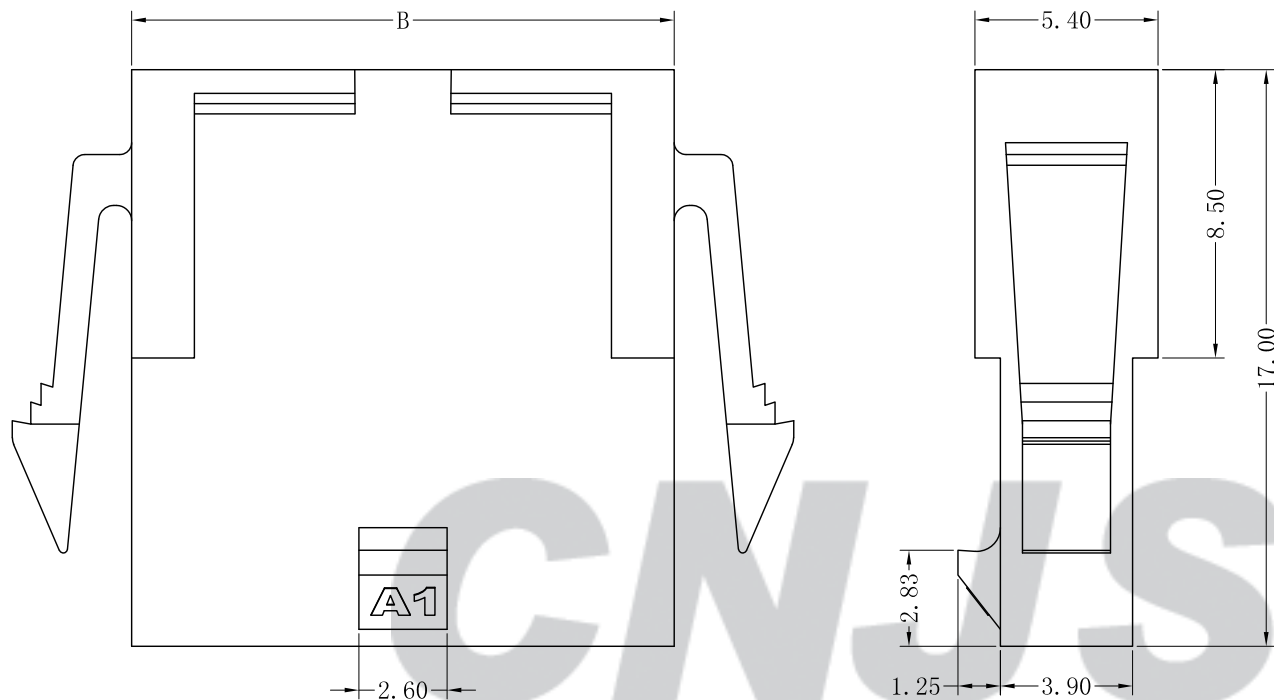


RoHS Compliant



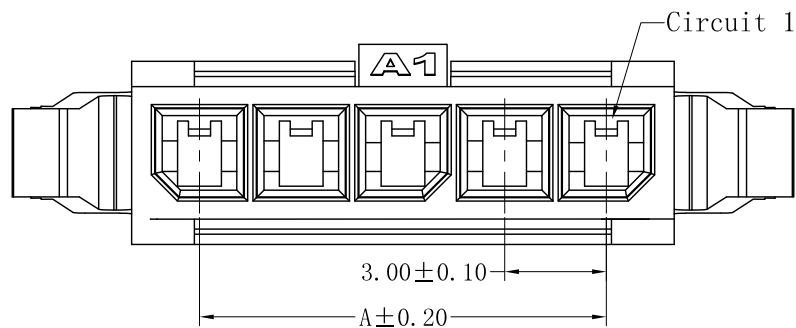
SPECIFICATION

- 1 Contact resistance:  $\leq 10\text{m}\Omega$
- 2 Insulation resistance:  $\geq 1000\text{M}\Omega$
- 3 Rated voltage: 250 V AC DC
- 4 Rated current: 4.5 A AC DC
- 5 Withstand Voltage: 1000V AC/minute
- 6 Temperature Range:  $-40^{\circ}\text{C} \sim +125^{\circ}\text{C}$

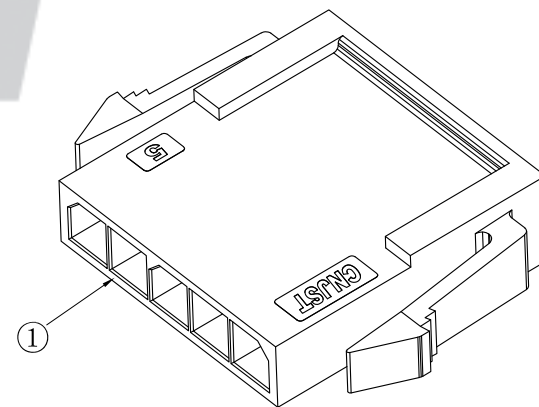
ORDER INFORMATION:

**QC3001R-\*\*-A8K-P**

PART No.	PACKAGING: P=PE
No. OF CIRCUITS: 02~10	PLASTIC MATERIAL: A8K=PA66 (Black)



Circuits	Dimensions (mm)	
	A	B
02	3.00	7.00
03	6.00	10.00
04	9.00	13.00
05	12.00	16.00
06	15.00	19.00
07	18.00	22.00
08	21.00	25.00
09	24.00	28.00
10	27.00	31.00



专利产品

注: 建议客户优先选择我司公母端产品配套使用, 若在没有使用我司公母端配套产品情况下, 出现因产品不匹配的质量问题, 我司将不承担任何风险及责任。

Tolerance
X.X ±0.30
X.XX ±0.20
X.XXX ±0.10
Angle ±3.0°

**CNJST** 捷仕泰企业

Drawn: 王程伟 2022.12.14

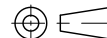
Model No.: QC3001R-\*\*-A8K-P

Checked: 吴丹平

Model Name: 3.00mm PITCH HOUSING-RECEPTACLE

Approved: 林旭芝

UNIT: mm



SCALE: FULL

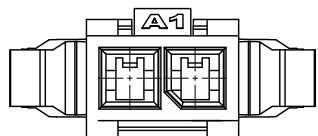
REVISION: C/0

DWG NO. CNJST/GCCP-0643

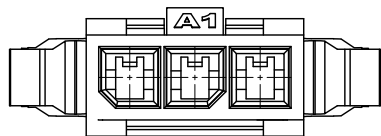
REV.	DATE	DESCRIPTION	APPD.	NO.	DESCRIPTION	QTY	MATERIAL	PLATING/COLOR
C/0	2022.12.14	更新模板	王程伟					
B/0	2020.07.11	NEW RELEASE		①	Insulator	1	PA66 (UL94V-0)	Black

RoHS Compliant

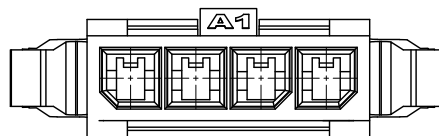
PIN位结构示意图



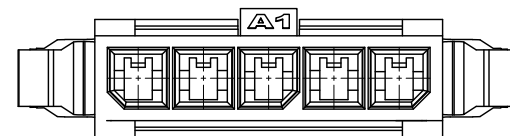
2P



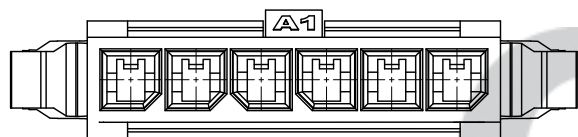
3P



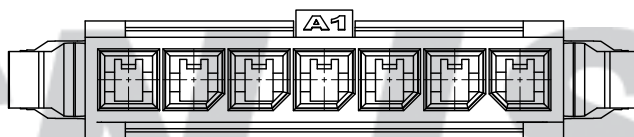
4P



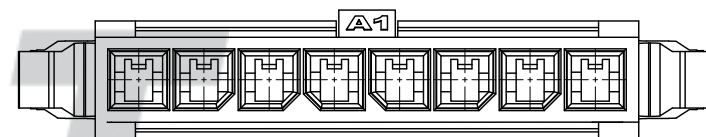
5P



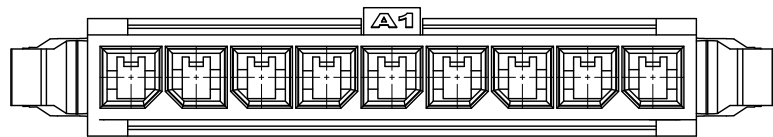
6P



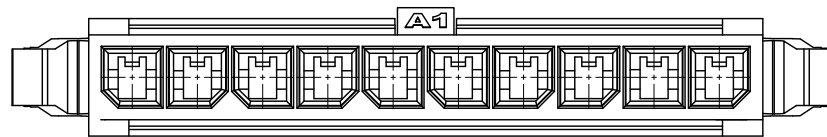
7P



8P



9P



10P

专利产品

REV.	DATE	DESCRIPTION	APPD.
C/0	2022. 12. 14	更新模板	王程伟
B/0	2020. 07. 11	NEW RELEASE	

注：建议客户优先选择我司公母端产品配套使用，若在没有使用我司公母端配套产品情况下，出现因产品不匹配的质量问题，我司将不承担任何风险及责任。

Tolerance X.X ±0.30 X.XX ±0.20 X.XXX ±0.10 Angle ±3.0°	<b>CNJST</b> 捷仕泰企业		Drawn: 王程伟 2022. 12. 14
	Model No.: QC3001R-**-A8K-P		Checked: 吴丹平
UNIT: mm	Model Name: 3.00mm PITCH HOUSING-RECEPTACLE		Approved: 林旭芝
		SCALE: FULL	REVISION: C/0
			DWG NO. CNJST/GCCP-0643