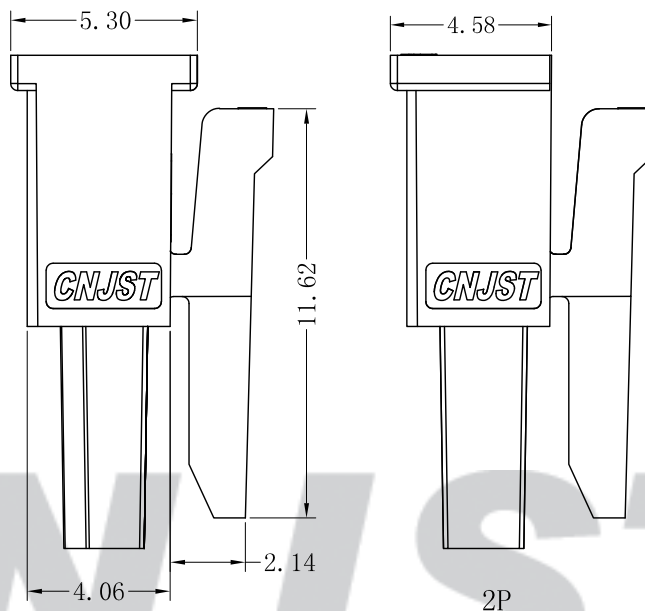
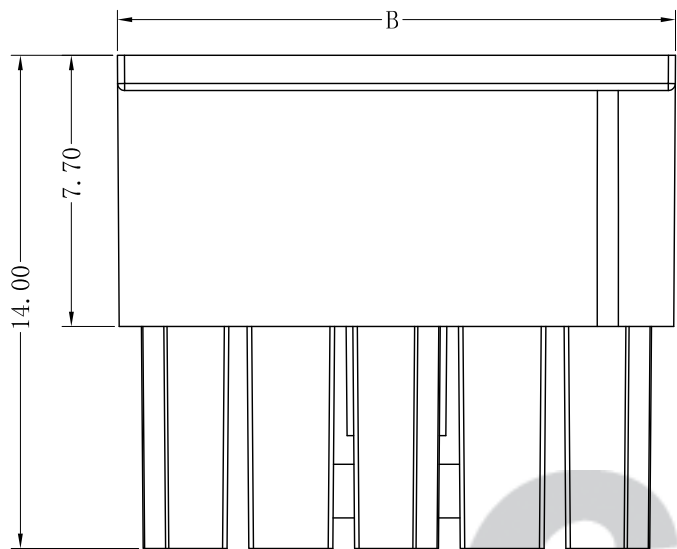


RoHS Compliant



SPECIFICATION

- 1 Contact resistance: $\leq 10m\Omega$
- 2 Insulation resistance: $\geq 1000M\Omega$
- 3 Rated voltage: 250 V AC DC
- 4 Rated current: 4.5 A AC DC
- 5 Withstand Voltage: 1000V AC/minute
- 6 Temperature Range: $-40^{\circ}C \sim +125^{\circ}C$

ORDER INFORMATION:

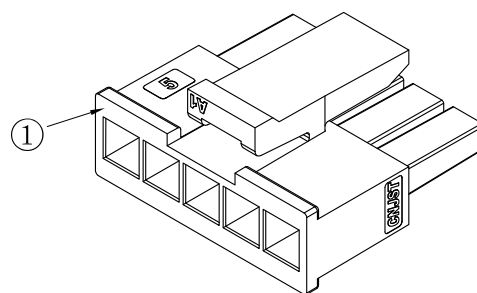
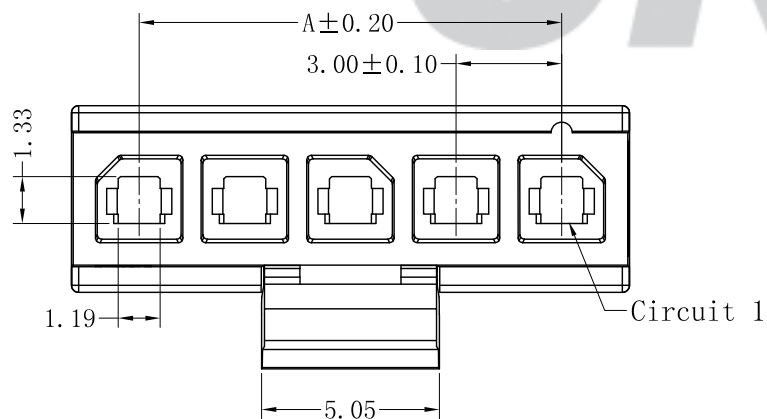
QC3001P-**-A8K-P

PART No. ↓

PACKAGING:
P=PE

No. OF CIRCUITS:
02~10

PLASTIC MATERIAL:
A8K=PA66 (Black)



Circuits	Dimensions (mm)	
	A	B
02	3.00	8.35
03	6.00	9.85
04	9.00	12.85
05	12.00	15.85
06	15.00	18.85
07	18.00	21.85
08	21.00	24.85
09	24.00	27.85
10	27.00	30.85

专利产品

注: 建议客户优先选择我司公母端产品配套使用, 若在没有使用我司公母端配套产品情况下, 出现因产品不匹配的质量问题, 我司将不承担任何风险及责任。

Tolerance	
X.X	±0.30
X.XX	±0.20
X.XXX	±0.10
Angle	±3.0°

CNJST 捷仕泰企业

Drawn: 王程伟 2022.12.14

Model No.: QC3001P-**-A8K-P

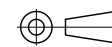
Checked: 吴丹平

Model Name: 3.00mm PITCH HOUSING-PLUG

Approved: 林旭芝

REV.	DATE	DESCRIPTION	APPD.	NO.	DESCRIPTION	QTY	MATERIAL	PLATING/COLOR
C/O	2022.12.14	更新模板	王程伟					
B/O	2020.07.11	NEW RELEASE		①	Insulator	1	PA66 (UL94V-0)	Black

UNIT: mm



SCALE: FULL

REVISION: C/O

DWG NO. CNJST/GCCP-0642