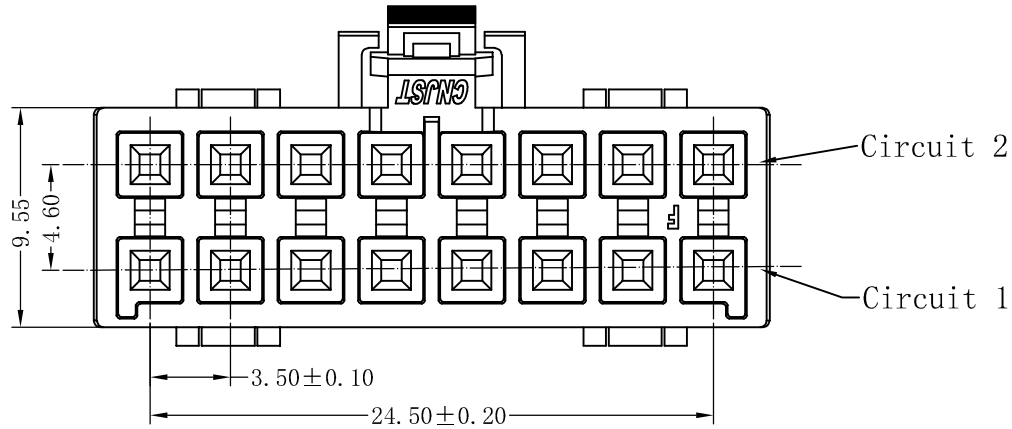


RoHS Compliant



SPECIFICATION

- 1 Contact resistance: $\leq 10\text{m}\Omega$
- 2 Insulation resistance: $\geq 1000\text{M}\Omega$
- 3 Rated voltage: 250 V AC DC
- 4 Rated current: 3.0 A AC DC
- 5 Withstand Voltage: 1500V AC/minute
- 6 Temperature Range: $-40^{\circ}\text{C} \sim +125^{\circ}\text{C}$

QA3501Y-208-M1K-B

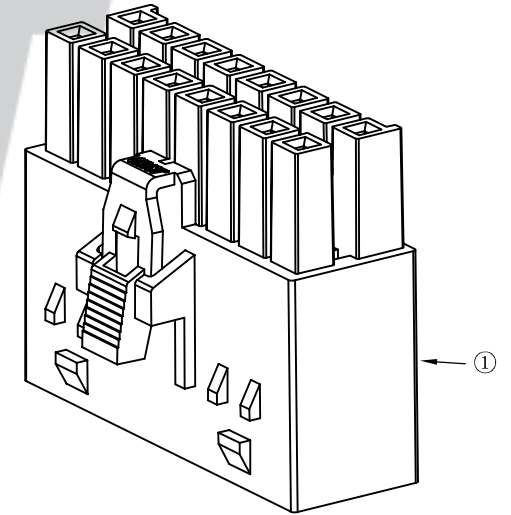
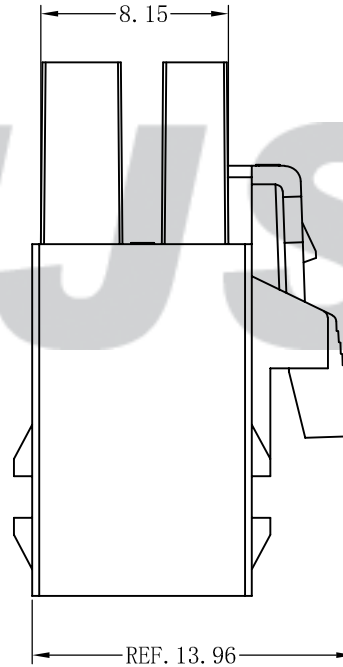
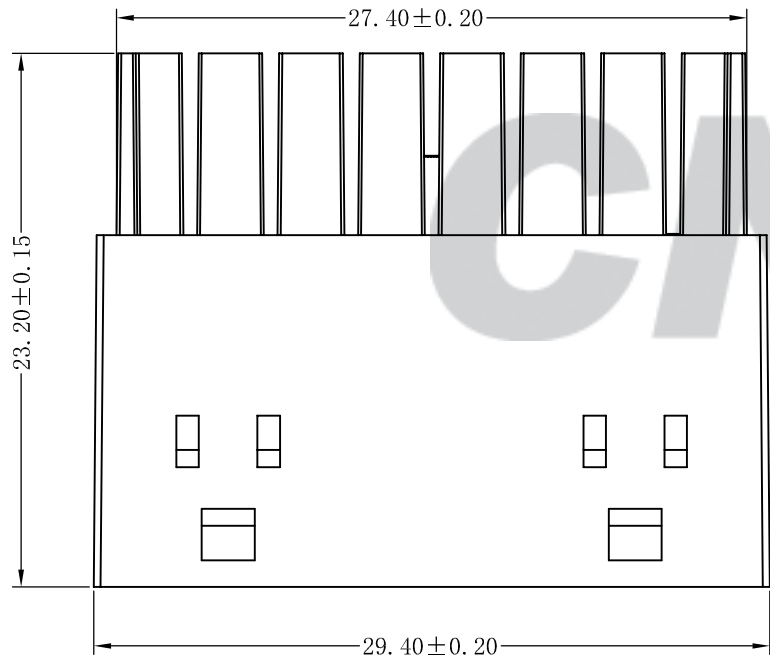
PART No. _____

No. OF CIRCUITS: _____

PLASTIC MATERIAL: _____

M1K=PA10T (Black)

PACKAGING: B=TRAY



注：建议客户优先选择我司公母端产品配套使用，若在没有使用我司公母端配套产品情况下，出现因产品不匹配的质量问题，我司将不承担任何风险及责任。

Tolerance X.X ±0.30 X.XX ±0.20 X.XXX ±0.10 Angle ±3.0°	CNJST 捷仕泰企业		Drawn: 黄美程 2023.02.04
	Model No.: QA3501Y-208-M1K-B		Checked: 吴丹平
	Model Name: 3.50mm PITCH HOUSING		Approved: 林旭芝
	UNIT: mm	SCALE: FULL	REVISION: C/0
			DWG NO.: CNJST/GCCP-0581

REV.	DATE	DESCRIPTION	APPD.	NO.	DESCRIPTION	QTY	MATERIAL	PLATING/COLOR
C/O	2023.02.04	更新模版	黄美程					
B/O	2021.01.04	NEW RELEASE	黄美程	①	Insulator	1	PA10T (UL94V-0)	Black