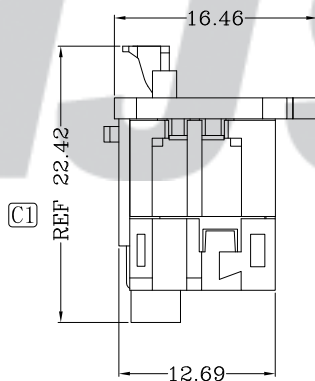
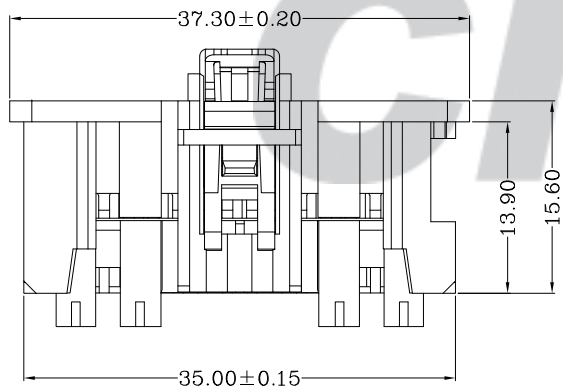
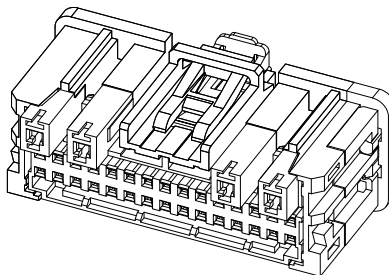
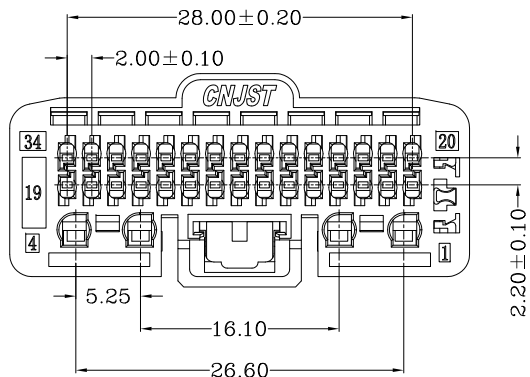


RoHS Compliant

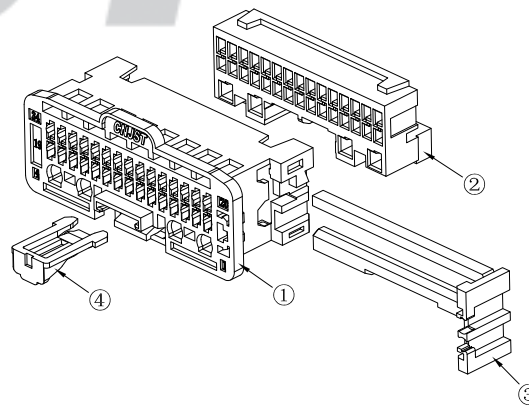


SPECIFICATION

- 1 Contact resistance: $\leq 20m\Omega$
- 2 Insulation resistance: $\geq 100M\Omega$
- 3 Rated voltage: 14 V AC DC
- 4 Rated current:
 - Pin 1 mates with CNJST QA2002T Terminal system: (0.35mm²)4.0 A AC DC; (0.22mm²)4.0 A AC DC; (0.13mm²)4.0 A AC DC;
 - Pin 2 mates with TYCO MCON Terminal system: (1.00mm²)16.0 A AC DC; (0.75mm²)13.5 A AC DC; (0.50mm²)12.0 A AC DC; (0.35mm²)10.0 A AC DC;
- 5 Withstand Voltage: 1000V AC/minute
- 6 Temperature Range: -40°C ~ +125°C

QA2002Y-217-A7K-P-ZP

PART No. _____ PACKAGING: P=PE
 No. OF CIRCUITS: _____
 217
 PLASTIC MATERIAL: _____
 A7K=PA66 (Black)



注：建议客户优先选择我司公母端产品配套使用，若在没有使用我司公母端配套产品情况下，出现因产品不匹配的质量问题，我司将不承担任何风险及责任。

专利产品

REV.	DATE	DESCRIPTION	APPD.	NO.	DESCRIPTION	QTY	MATERIAL	PLATING/COLOR
				④	Locker2	1	PPA (UL94 HB)	Nature
C/1	2023.09.08	更新视图	李浩然	③	Locker1	1	PPA (UL94 HB)	Nature
C/0	2022.11.11	更新模版	黄羨程	②	Insulator2	1	PA66 (UL94V-0)	Black
B/0	2021.08.14	NEW RELEASE	徐广	①	Insulator1	1	PA66 (UL94V-0)	Black

Tolerance	X.X ±0.30
	X.XX ±0.20
	X.XXX ±0.10
Angle	±3.0°
UNIT:	mm

CNJST 捷仕泰企业		
Model No.: QA2002Y-217-A7K-P-ZP		REVISION: C/1
Model Name: 2.00mm PITCH HOUSING		SCALE: FULL

Drawn: 李浩然 2023.09.08
Checked: 吴丹平
Approved: 林旭芝
DWG NO.: CNJST/GCCP-0779