

RoHS Compliant

SPECIFICATION

- 1 Contact resistance:  $\leq 20m\Omega$
- 2 Insulation resistance:  $\geq 100M\Omega$
- 3 Rated voltage: 14 V AC DC
- 4 Rated current:

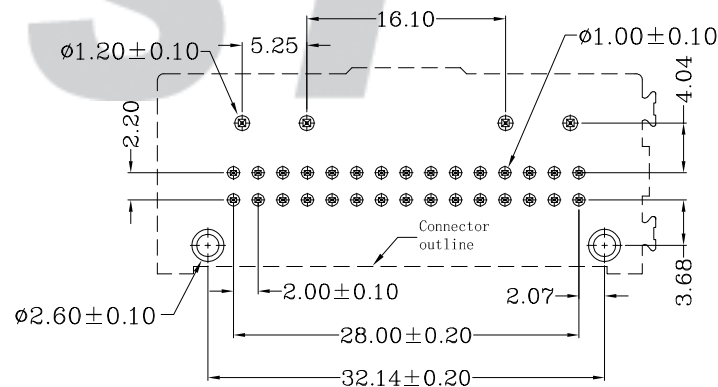
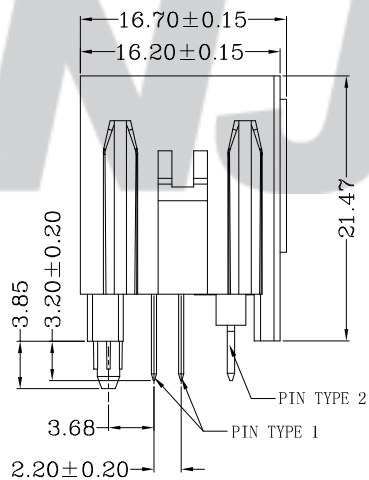
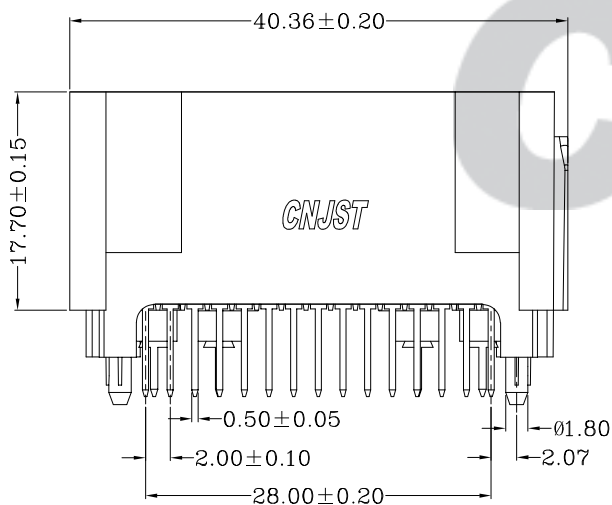
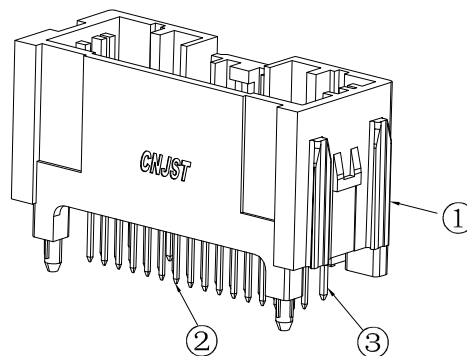
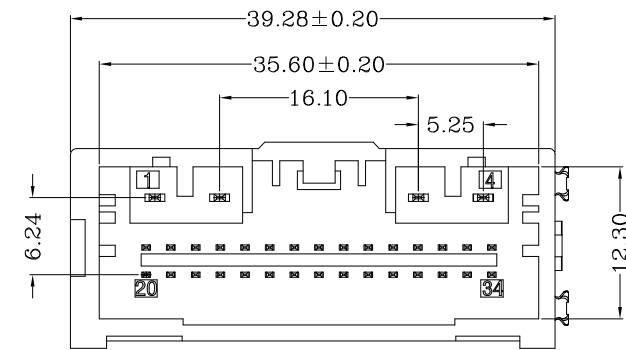
Pin 1 mates with CNJST QA2002T Terminal system:  
 (0.35mm<sup>2</sup>)4.0 A AC DC; (0.22mm<sup>2</sup>)4.0 A AC DC;  
 (0.13mm<sup>2</sup>)4.0 A AC DC;

Pin 2 mates with TYCO MCON Terminal system:  
 (1.00mm<sup>2</sup>)16.0 A AC DC; (0.75mm<sup>2</sup>)13.5 A AC DC;  
 (0.50mm<sup>2</sup>)12.0 A AC DC; (0.35mm<sup>2</sup>)10.0 A AC DC;

- 5 Withstand Voltage: 1000V AC/minute
- 6 Temperature Range: -40°C ~ +125°C

ORDER INFORMATION:

<b>QA2002AB-217-N1KB-B</b>	
PART No.:	217
No. OF CIRCUITS:	PACKAGING: B=TRAY
PLASTIC MATERIAL:	PLATING: B=Matte Sn
N1K=SPS (Black)	



SUGGESTED PCB LAYOUT  
(COMPONENT SIDE)

注：建议客户优先选择我司公母端产品配套使用，若在没有使用我司公母端配套产品情况下，出现因产品不匹配的质量问题，我司将不承担任何风险及责任。

专利产品

Tolerance X.X ±0.30 X.XX ±0.20 X.XXX ±0.10 Angle ±3.0°  UNIT: mm	<b>CNJST 捷仕泰企业</b>		Drawn: 黄美程 2022.11.11
	Model No.: QA2002AB-217-N1KB-B		Checked: 吴丹平
	Model Name: 2.00mm PITCH 180° WAFER		Approved: 林旭芝
	 SCALE: FULL    REVISION: C/0		DWG NO.: CNJST/GCCP-0778

REV.	DATE	DESCRIPTION	APPD.	NO.	DESCRIPTION	QTY	MATERIAL	PLATING/COLOR
				③	Contacts2	4	Brass	Matte Sn
C/0	2022.11.11	更新模版	黄美程	②	Contacts1	30	Brass	Matte Sn
B/0	2021.08.14	NEW RELEASE	徐广	①	Insulator	1	SPS (UL94 HB)	Black