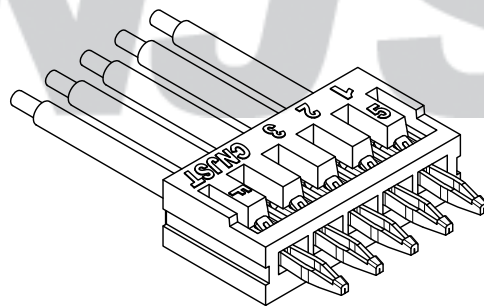
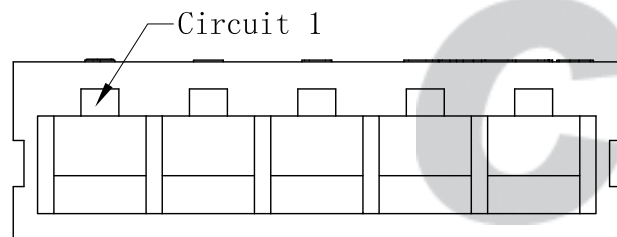
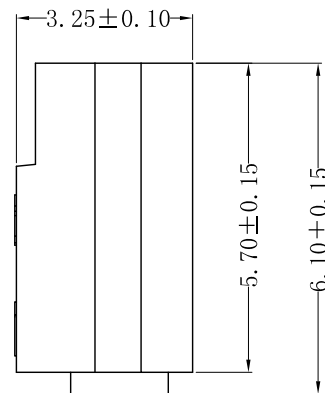
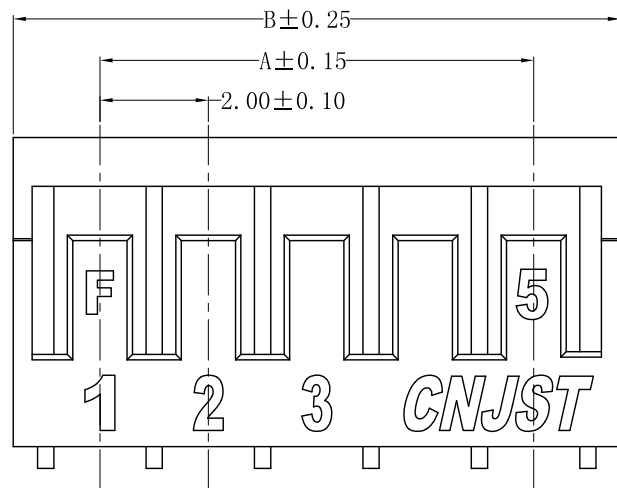


RoHS Compliant



Circuits	Dimensions (mm)		Circuits	Dimensions (mm)	
	A	B		A	B
02	2.00	5.20	10	18.00	21.20
03	4.00	7.20	11	20.00	23.20
04	6.00	9.20	12	22.00	25.20
05	8.00	11.20	13	24.00	27.20
06	10.00	13.20	14	26.00	29.20
07	12.00	15.20	15	28.00	31.20
08	14.00	17.20	16	30.00	33.20
09	16.00	19.20			

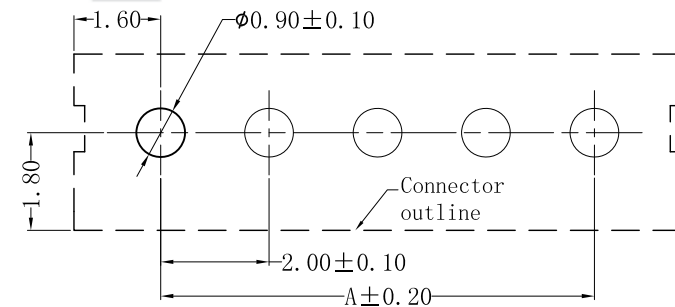
SPECIFICATION

- Contact resistance: $\leq 20m\Omega$
- Insulation resistance: $\geq 1000M\Omega$
- Rated voltage: 250 V AC DC
- Rated current: 2.0 A AC DC
- Withstand Voltage: 800V AC/minute
- Temperature Range: $-40^{\circ}C \sim +125^{\circ}C$

ORDER INFORMATION:

B2001Y--A6M-P**

PART No. | No. OF CIRCUITS: 02~16 | PACKAGING: P=PE | PLASTIC MATERIAL: A6M=PA66 (BEIGE)



SUGGESTED PCB LAYOUT (COMPONENT SIDE)

专利产品

注: 建议客户优先选择我司公母端产品配套使用, 若在没有使用我司公母端配套产品情况下, 出现因产品不匹配的质量问题, 我司将不承担任何风险及责任。

Tolerance X.X ±0.30 X.XX ±0.20 X.XXX ±0.10 Angle ±3.0° UNIT: mm	CNJST 捷仕泰企业	Drawn: 王丽君 2022.12.02
	Model No.: B2001Y-**-A6M-P	Checked: 吴丹平
	Model Name: 2.00mmPITCH 180° HOUSING	Approved: 林旭芝
	SCALE: FULL REVISION: C/0	DWG NO. CNJST/GCCP-0127

REV.	DATE	DESCRIPTION	APPD.	NO.	DESCRIPTION	QTY	MATERIAL	PLATING/COLOR
C/0	2022.12.02	更新模板	王丽君					
B/0	2020.07.15	NEW RELEASE	徐广	①	Insulator	1	PA66 (UL94V-0)	Beige