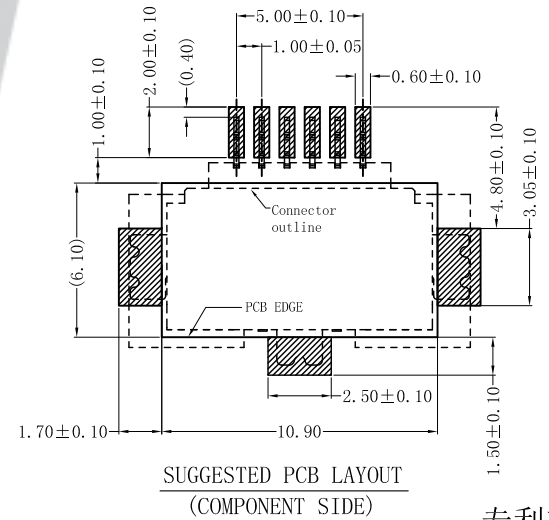
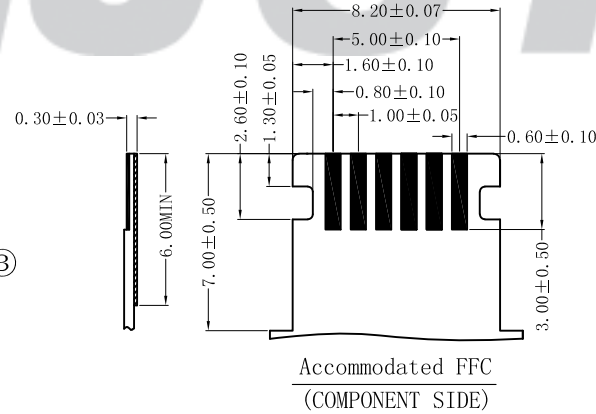
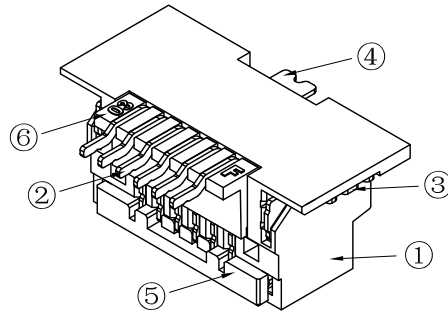
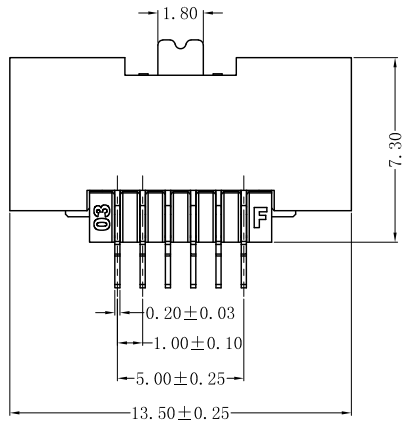
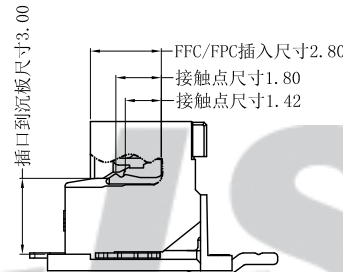
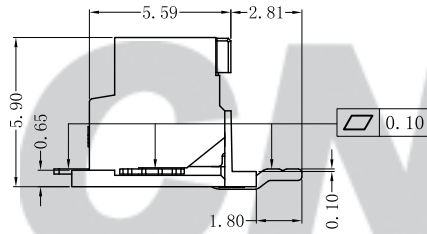
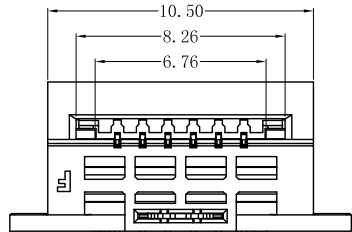
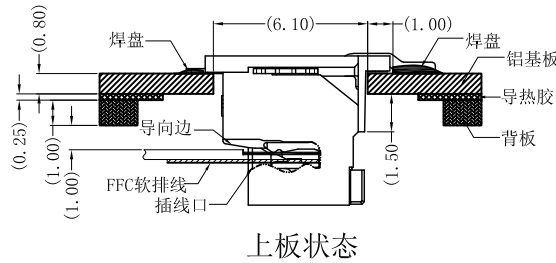
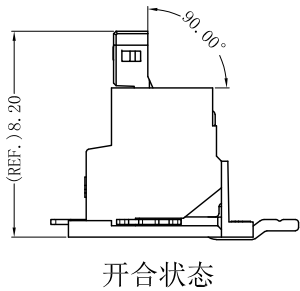
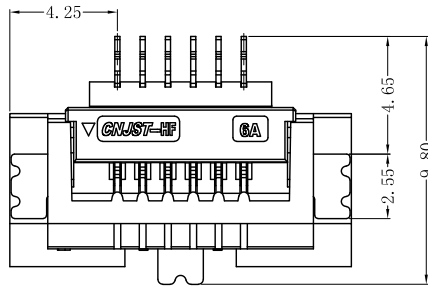


RoHS Compliant



SPECIFICATION

- Contact resistance: $\leq 30m\Omega$
- Insulation resistance: $\geq 100M\Omega$
- Rated voltage: 150 V AC DC
- Rated current: 1.0 A AC DC
- Withstand Voltage: 500V AC/minute
- Temperature Range: $-25^{\circ}C \sim +85^{\circ}C$

ORDER INFORMATION:

FA1006AWR-06-F2MB-R

PART No. _____

No. OF CIRCUITS: _____ PACKAGING: _____

06 R=Reel

PLASTIC MATERIAL: _____ PLATING: _____

F2M=LCP (Nature) B=Matte Sn

注：建议客户使用我司配套的线材。

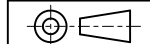
| ⑥ | Back cover | 1 | LCP (UL94V-0) | Nature | | | | |
|------|------------|-------------|-----------------|----------|-------------|-----|----------|---------------|
| ⑤ | Locker | 1 | LCP (UL94V-0) | Black | | | | |
| ④ | Solder Tab | 1 | Brass | Matte Sn | | | | |
| ③ | Solder Tab | 2 | Brass | Matte Sn | | | | |
| ② | Contacts | 6 | Phosphor Bronze | Matte Sn | | | | |
| ① | Insulator | 1 | LCP (UL94V-0) | Nature | | | | |
| REV. | DATE | DESCRIPTION | APPD. | NO. | DESCRIPTION | QTY | MATERIAL | PLATING/COLOR |

Tolerance
X.X ±0.30
X.XX ±0.20
X.XXX ±0.10
Angle ±3.0°
UNIT: mm

CNJST 捷仕泰企业

Model No.: FA1006AWR-06-F2MB-R

Model Name: 1.00mm pitch 90° FFC/FPC TYPE



SCALE: FULL

REVISION: C/0

Drawn: 李浩然 2022. 12. 07

Checked: 吴丹平

Approved: 林旭芝

DWG NO.: CNJST/GCCP-0723

专利产品