

RoHS Compliant

成品图

SPECIFICATION

- 1 Contact resistance: $\leq 10m\Omega$
- 2 Insulation resistance: $\geq 1000M\Omega$
- 3 Rated voltage: 250 V AC DC
- 4 Rated current: 3.0 A AC DC
- 5 Withstand Voltage: 800V AC/minute
- 8 Temperature Range: $-25^{\circ}C \sim +85^{\circ}C$

ORDER INFORMATION:

A2010AWD-*-A1MA-B-D**

PART No.

No. OF CIRCUITS:

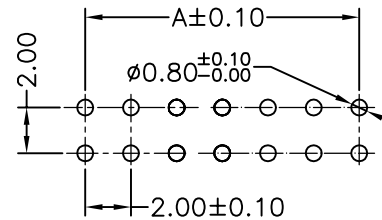
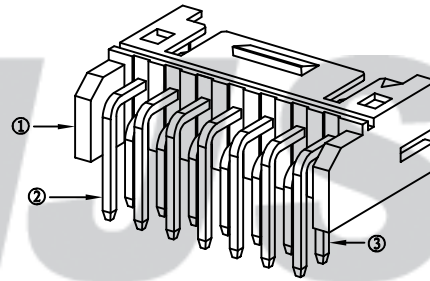
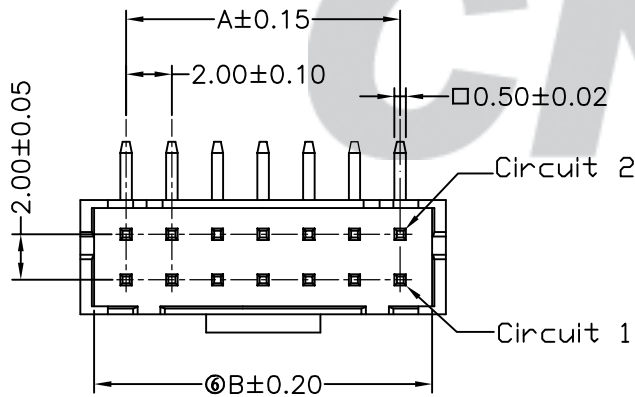
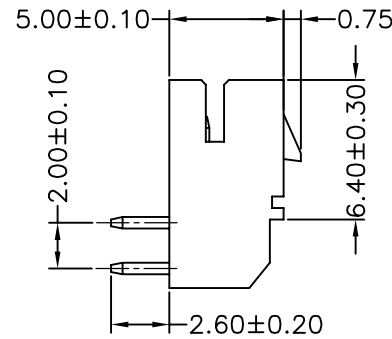
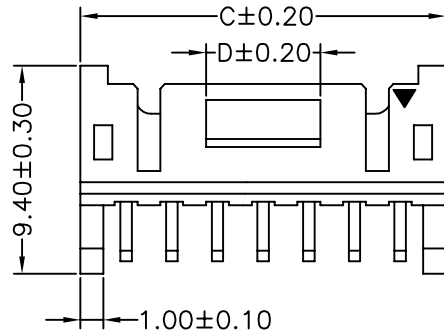
2X2~2X22

PLASTIC MATERIAL:

A1M=PA66 (Beige)

PACKAGING: B=TRAY

PLATING: A=Tin-Plated



SUGGESTED PCB LAYOUT
(COMPONENT SIDE)

Circuits	Dimensions (mm)			
	A	B	C	D
202 (2X2)	2.00	4.70	5.90	3.00
203 (2X3)	4.00	6.70	7.90	4.00
204 (2X4)	6.00	8.70	9.90	4.00
205 (2X5)	8.00	10.70	11.90	4.00
206 (2X6)	10.00	12.70	13.90	4.00
207 (2X7)	12.00	14.70	15.90	5.00
208 (2X8)	14.00	16.70	17.90	5.00
209 (2X9)	16.00	18.70	19.90	5.00
210 (2X10)	18.00	20.70	21.90	5.00
211 (2X11)	20.00	22.70	23.90	5.00
212 (2X12)	22.00	24.70	25.90	5.00
213 (2X13)	24.00	26.70	27.90	5.00
214 (2X14)	26.00	28.70	29.90	5.00
215 (2X15)	28.00	30.70	31.90	5.00
216 (2X16)	30.00	32.70	33.90	5.00
217 (2X17)	32.00	34.70	35.90	5.00
218 (2X18)	34.00	36.70	37.90	5.00
219 (2X19)	36.00	38.70	39.90	5.00
220 (2X20)	38.00	40.70	41.90	5.00
221 (2X21)	40.00	42.70	43.90	5.00
222 (2X22)	42.00	44.70	45.90	5.00

B/O	2016.04.12	NEW RELEASE	
REV.	DATE	DESCRIPTION	APPD.

③	Contacts 2	02~22	Brass	Tin-plated
②	Contacts 1	02~22	Brass	Tin-plated
①	Insulator	1	PA66 (UL94V-0)	Beige
NO.	DESCRIPTION	QTY	MATERIAL	PLATING/COLOR

Tolerance X.X ±0.30 X.XX ±0.20 X.XXX ±0.10 Angle ±3.0°	Model Name: 2.00mm pitch 90° Wafer		Drawn: 张育斌 2016.06.11
	Model No: A2010AWD-***-A1MA-B-D		
UNIT: mm	SCALE: FULL	REVISION: B/0	Checked: 林旭芝
			Approved: 刘祚杰
CNJST 浙江捷仕泰电子有限公司 ZHEJIANG JIESHITAI ELECTRONIC CO., LTD			DWG NO. CNJST/GCCP-0251