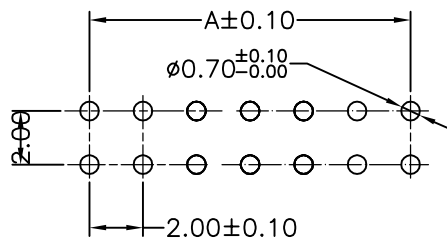
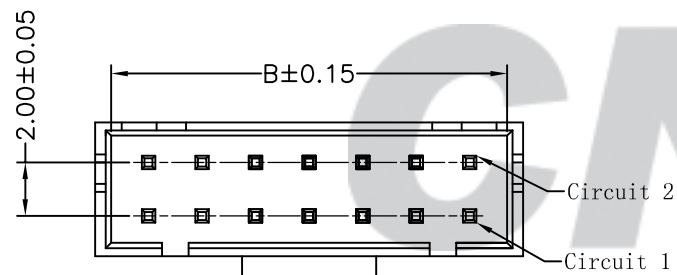
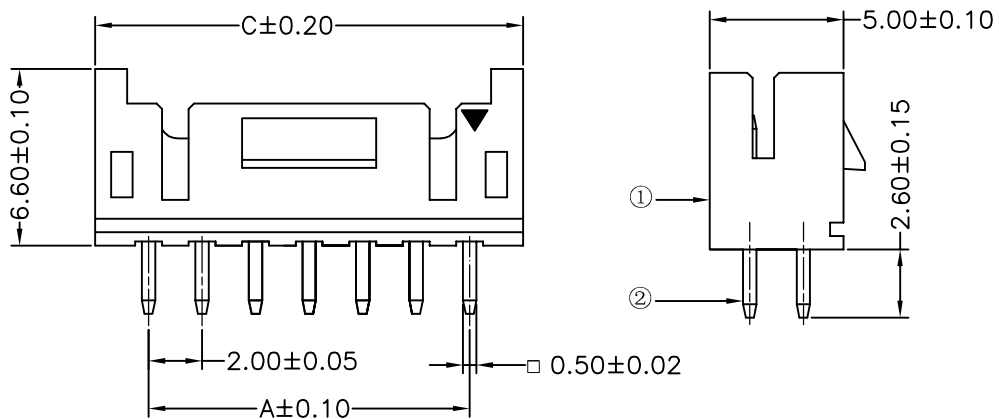
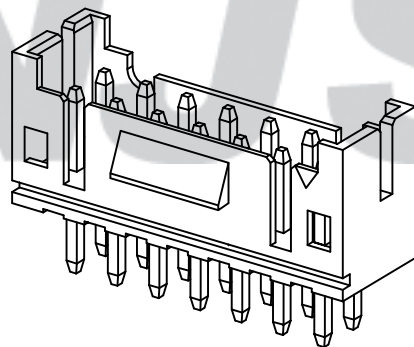


RoHS Compliant

成品图



SUGGESTED PCB LAYOUT  
(COMPONENT SIDE)



SPECIFICATION

- 1 Contact resistance:  $\leq 10m\Omega$
- 2 Insulation resistance:  $\geq 1000M\Omega$
- 3 Rated voltage: 250 V AC DC
- 4 Rated current: 3.0 A AC DC
- 5 Withstand Voltage: 800V AC/minute
- 8 Temperature Range:  $-25^{\circ}C \sim +105^{\circ}C$

ORDER INFORMATION:

**A2010A-\*\*\*-A1MA-B-D**

PART No.:		PACKAGING:
No. OF CIRCUITS:		B=TRAY
2X2~2X20		PLATING:
PLASTIC MATERIAL:		A=Tin-Plated
A1M=PA66 (Nature)		

Circuits	Dimensions (mm)			Circuits	Dimensions (mm)		
	A	B	C		A	B	C
202 (2X2)	2.00	4.70	5.90	212 (2X12)	22.00	24.70	25.90
203 (2X3)	4.00	6.70	7.90	213 (2X13)	24.00	26.70	27.90
204 (2X4)	6.00	8.70	9.90	214 (2X14)	26.00	28.70	29.90
205 (2X5)	8.00	10.70	11.90	215 (2X15)	28.00	30.70	31.90
206 (2X6)	10.00	12.70	13.90	216 (2X16)	30.00	32.70	33.90
207 (2X7)	12.00	14.70	15.90	217 (2X17)	32.00	34.70	35.90
208 (2X8)	14.00	16.70	17.90	218 (2X18)	34.00	36.70	37.90
209 (2X9)	16.00	18.70	19.90	219 (2X19)	36.00	38.70	39.90
210 (2X10)	18.00	20.70	21.90	220 (2X20)	38.00	40.70	41.90
211 (2X11)	20.00	22.70	23.90				

REV.	DATE	DESCRIPTION	APPD.
B/0	2016.04.12	NEW RELEASE	

②	Contacts	04~40	Brass	Tin-plated
①	Insulator	1	PA66 (UL94V-0)	Nature
NO.	DESCRIPTION	QTY	MATERIAL	PLATING/COLOR

Tolerance X.X ±0.30 X.XX ±0.20 X.XXX ±0.10 Angle ±3.0°	Model Name: 2.00mm pitch 180° Wafer		Drawn: 张育斌 2016.06.12
	Model No: A2010A-***-A1MA-B-D		
UNIT: mm	SCALE: FULL	REVISION: B/0	Checked: 林旭芝
	<b>CNJST</b> 浙江捷仕泰电子有限公司 ZHEJIANG JIESHITAI ELECTRONIC CO., LTD		Approved: 刘祚杰
			DWG NO. CNJST/GCCP-0252