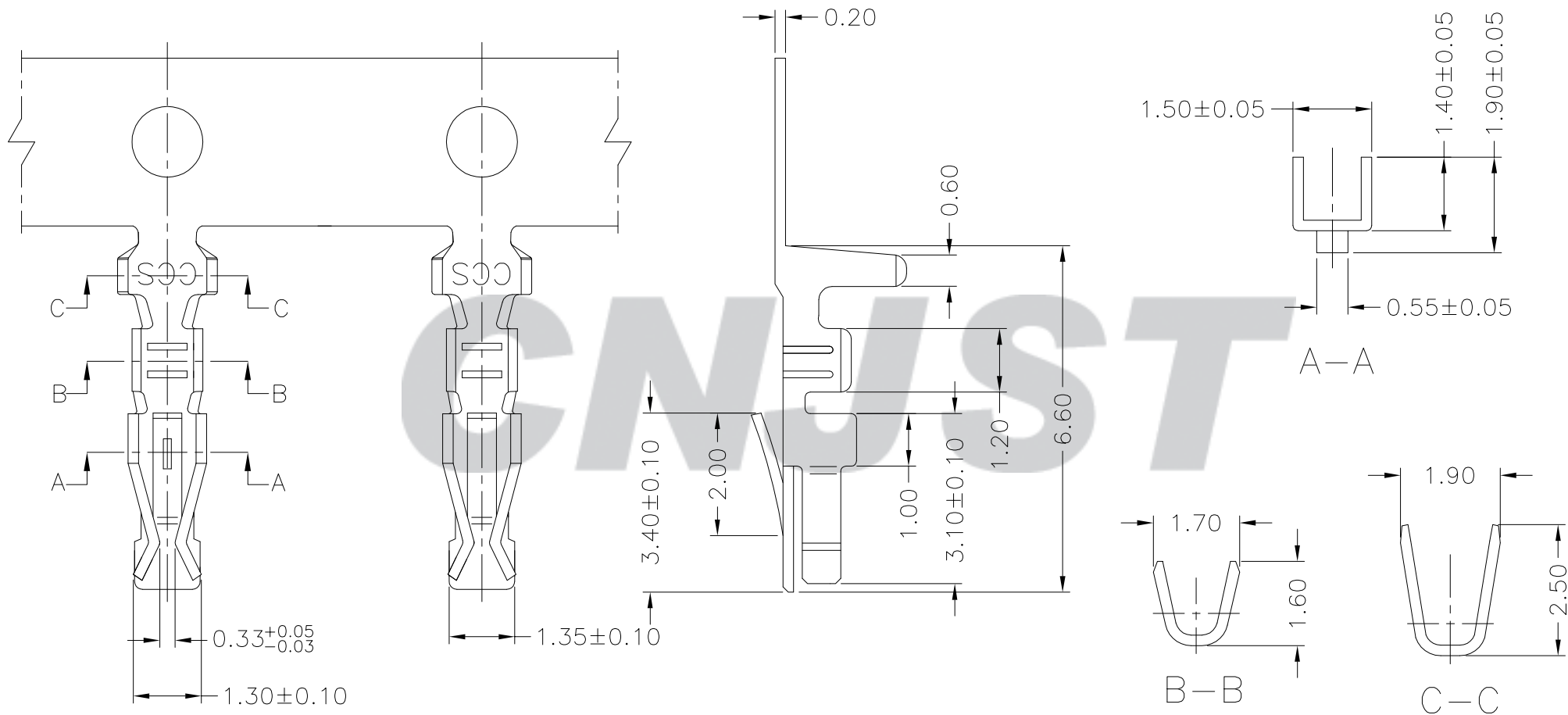


RoHS Compliant

端子图



Tolerance X.X ±0.30 X.XX ±0.20 X.XXX ±0.10 Angle ±3.0°	Model Name: 2.00mm PITCH CRIMP TERMINAL		Drawn: 张育斌 2016.06.13
	Model No: A2010T-PA-Z		
UNIT: mm		SCALE: FULL	REVISION: B/1
	CNJST 浙江捷仕泰电子有限公司		Checked: 林旭芝
	ZHEJIANG JIESHITAI ELECTRONIC CO., LTD		Approved: 刘祚杰
			DWG NO. CNJST/GCDZ-0039

REV.	DATE	DESCRIPTION	APPD.	Wire Range	Insulation O.D.	QTY/Reel	Material	Plating
	2013.01.01	NEW RELEASE		AWG #22~#32	1.60mm(max)	10,000Pcs	Phosphor Bronze	Tin-plated