

RoHS Compliant

成品图

ORDER INFORMATION:

**B1501M-3P2-F2MB-R**

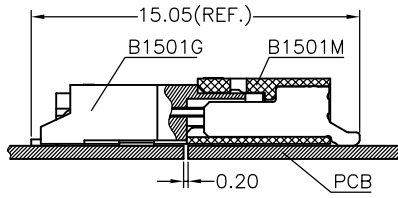
PART No.:

No. OF CIRCUITS:  
3P2

PLASTIC MATERIAL:  
F2M=LCP (BEIGE)

PACKAGING:  
R=Reel

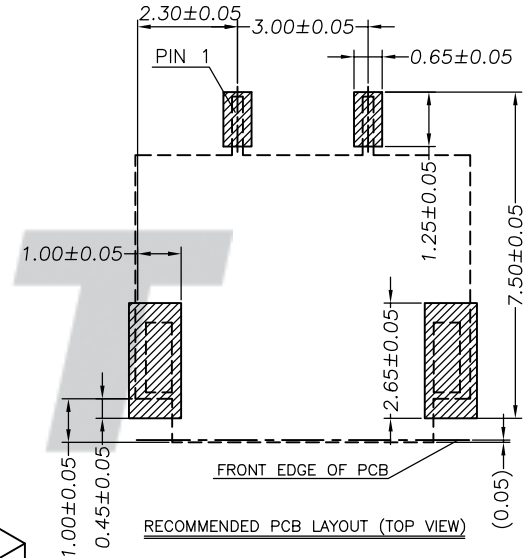
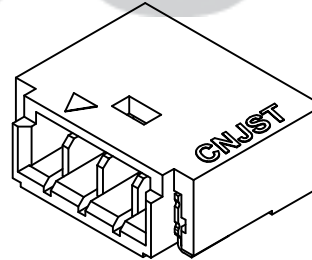
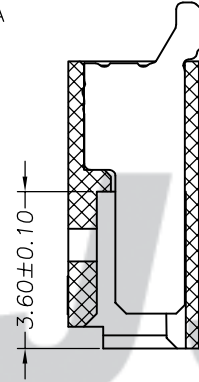
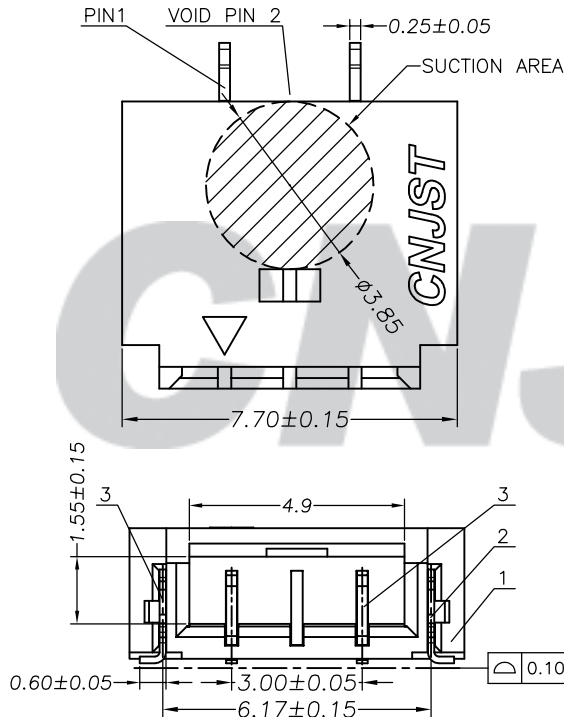
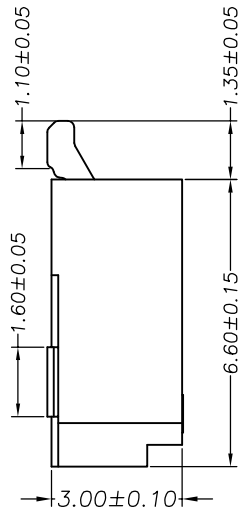
PLATING:  
A=Sn



MATING VIEW  
SCALE 1:2

SPECIFICATION

- 1 Contact resistance:  $\leq 20\text{m}\Omega$
- 2 Insulation resistance:  $\geq 100\text{M}\Omega$
- 3 Rated voltage: 150 V AC DC
- 4 Rated current: 1 A AC DC
- 5 Withstand Voltage: 1000V AC/minute
- 6 Temperature Range:  $-25^{\circ}\text{C} \sim +85^{\circ}\text{C}$



专利产品

REV.	DATE	DESCRIPTION	APPD.
B/0	2016.04.12	NEW RELEASE	

NO.	DESCRIPTION	QTY	MATERIAL	PLATING/COLOR
③	Solder Tab	2	Brass	Mattn Sn
②	Contacts	2	Brass	Mattn Sn
①	Insulator	1	LCP (UL94V-0)	Nature

Tolerance	Model Name: 1.50mm pitch BTB FEMALE SMT R/A TYPE
X.X ±0.30	Model No: B1501M-3P2-F2MB-R
X.XX ±0.20	
X.XXX ±0.10	
Angle ±3.0°	
UNIT: mm	<b>CNJST</b> 浙江捷仕泰电子有限公司 ZHEJIANG JIESHITAI ELECTRONIC CO., LTD

Drawn: 张育斌 2016.04.13
Checked: 林旭芝
Approved: 刘祚杰
DWG NO. CNJST/GCCP-0280