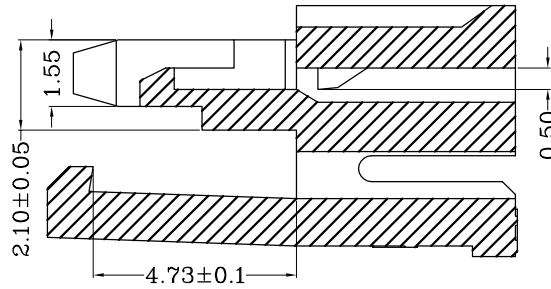
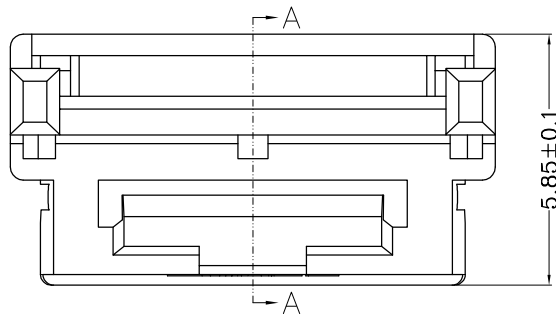
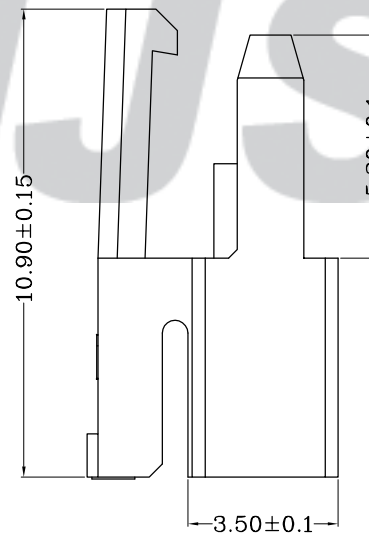
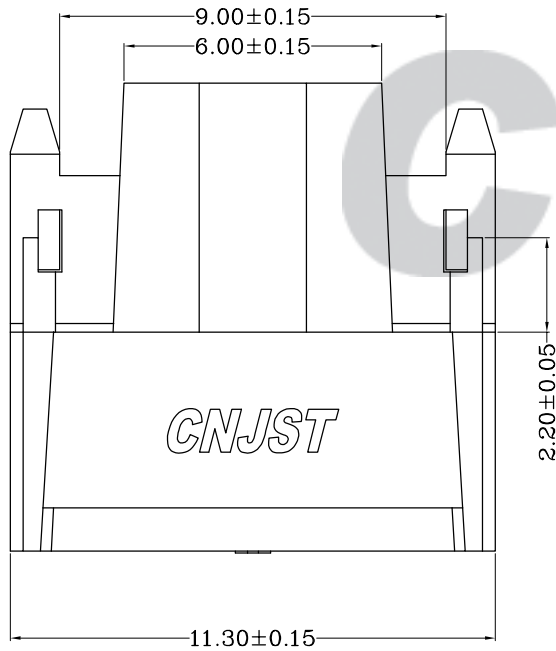


RoHS Compliant

成品图



SECTION A-A

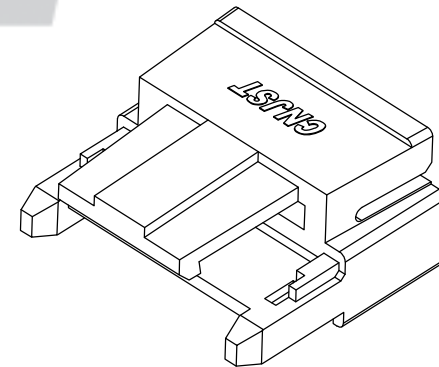


SPECIFICATION

- 1 Contact resistance:  $\leq 30m\Omega$
- 2 Insulation resistance:  $\geq 500M\Omega$
- 3 Rated voltage: 150 V AC DC
- 4 Rated current: 1.0 A AC DC
- 5 Withstand Voltage: 800V AC/minute
- 6 Temperature Range:  $-25^{\circ}C \sim +85^{\circ}C$

ORDER INFORMATION:

<b>A1014Y-**-A6W-P</b>		
PART No.	—	—
No. OF CIRCUITS:	—	—
08		PACKAGING: P=Pe
PLASTIC MATERIAL:	—	
A6W=PA66 (White)		



Tolerance X.X ±0.30 X.XX ±0.20 X.XXX ±0.10 Angle ±3.0°	Model Name: 1.00mm pitch HOUSING		Drawn: 张育斌 2016.05.13
	Model No: A1014Y-**-A6W-P		
UNIT: mm		SCALE: FULL	REVISION: B/0
		<b>CNJST</b> 浙江捷仕泰电子有限公司 ZHEJIANG JIESHITAI ELECTRONIC CO., LTD	
① Insulator 1 PA66 (UL94V-0) White			Checked: 林旭芝
NO. DESCRIPTION QTY MATERIAL PLATING/COLOR			Approved: 刘祚杰
			DWG NO. CNJST/GCCP-0410

B/02016.04.12		NEW RELEASE					
REV.	DATE	DESCRIPTION	APPD.	NO.	DESCRIPTION	QTY	MATERIAL
1				3			