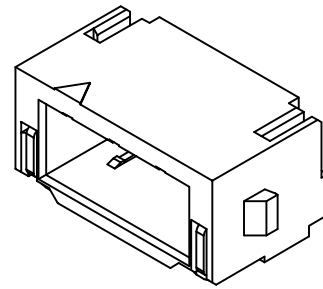
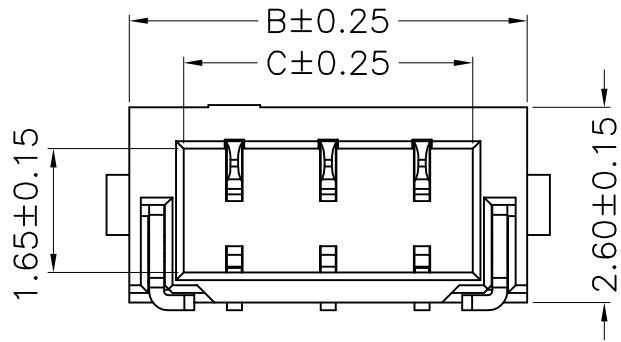


RoHS Compliant

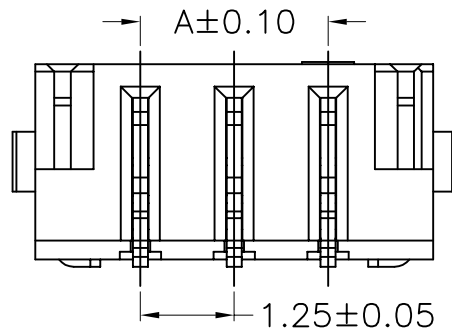
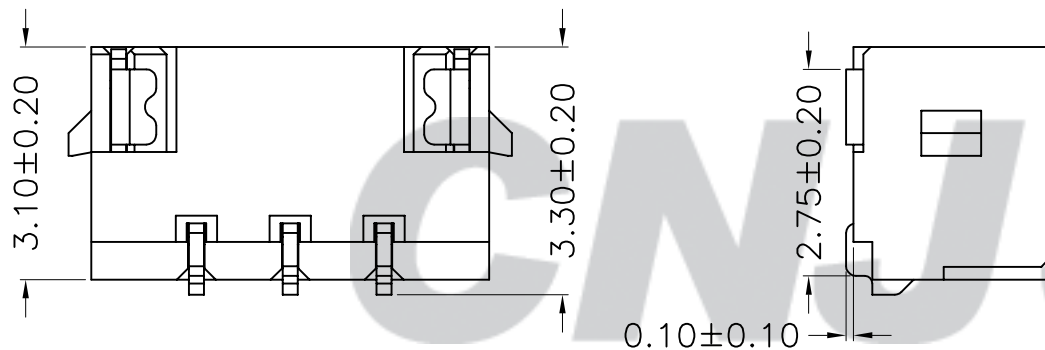
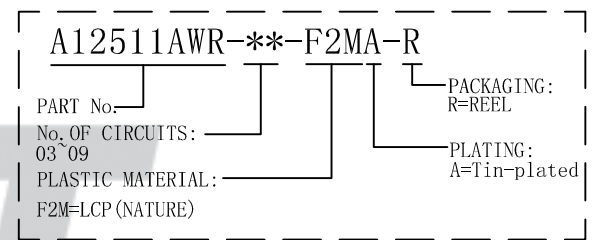
成品图



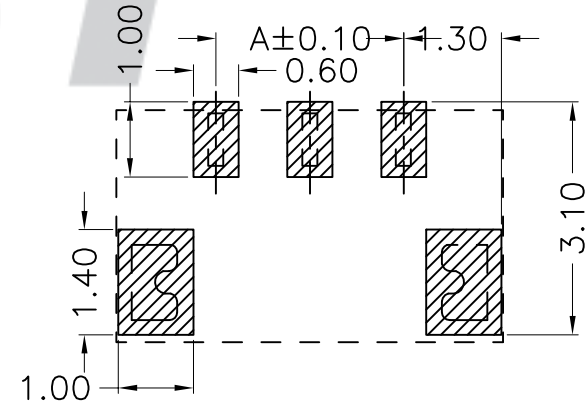
SPECIFICATION

- 1 Contact resistance: $\leq 10\text{m}\Omega$
- 2 Insulation resistance: $\geq 1000\text{M}\Omega$
- 3 Rated voltage: 150 V AC DC
- 4 Rated current: 1.0 A AC DC
- 5 Withstand Voltage: 800V AC/minute
- 6 Temperature Range: $-40^{\circ}\text{C} \sim +85^{\circ}\text{C}$

ORDER INFORMATION:



Circuits	Dimensions (mm)		
	A	B	C
03	2.50	5.30	3.85
04	3.75	6.55	5.10
05	5.00	7.80	6.35
06	6.25	9.05	7.60
07	7.50	10.30	8.85
08	8.75	11.55	10.10
09	10.00	12.80	11.35



SUGGESTED PCB LAYOUT
(COMPONENT SIDE)

专利产品

Tolerance X.X ±0.30 X.XX ±0.20 X.XXX ±0.10 Angle ±3.0°	Model Name: 1.25mm pitch 90° WAFER-SMT TYPE		Drawn: 张育斌 2016.04.13
	Model No: A12511AWR-**-F2MA-R		
UNIT: mm		SCALE: FULL	REVISION: B/0
	CNJST 浙江捷仕泰电子有限公司 ZHEJIANG JIESHITAI ELECTRONIC CO., LTD		Checked: 林旭芝 Approved: 刘祚杰
			DWG NO. CNJST/GCCP-0346

REV.	DATE	DESCRIPTION	APPD.	NO.	DESCRIPTION	QTY	MATERIAL	PLATING/COLOR
B/0	2016.04.12	NEW RELEASE		③	Solder Tab	2	Brass	Tin-plated
				②	Contacts	3~9	Phosphor Bronze	Tin-plated
				①	Insulator	1	LCP	Nature