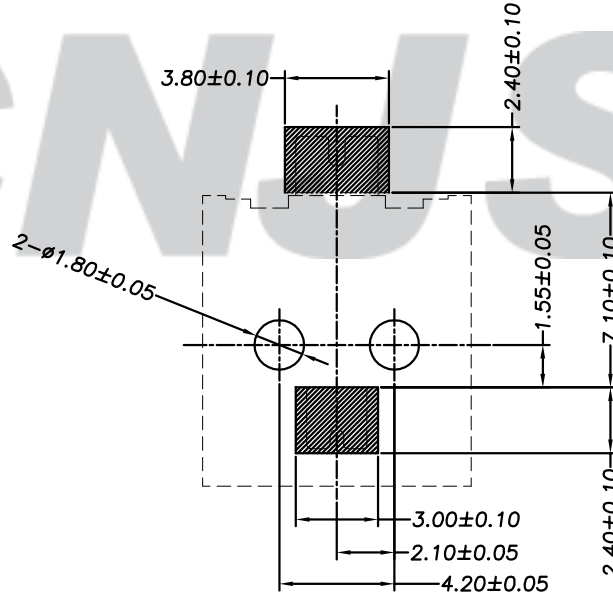
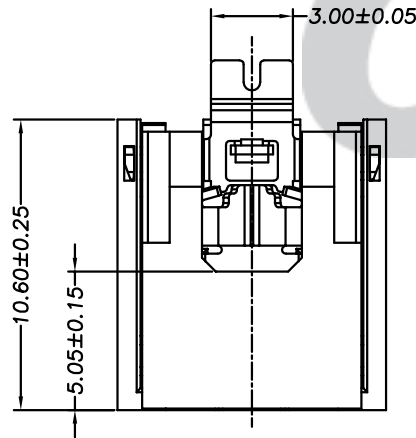
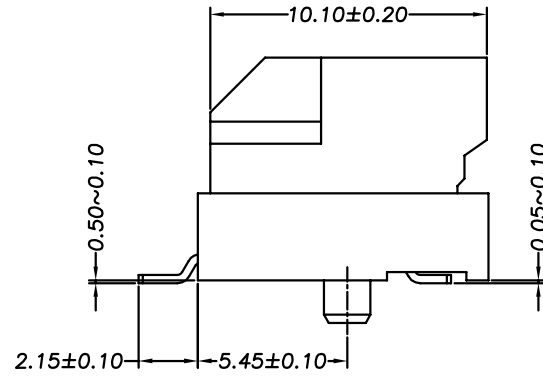
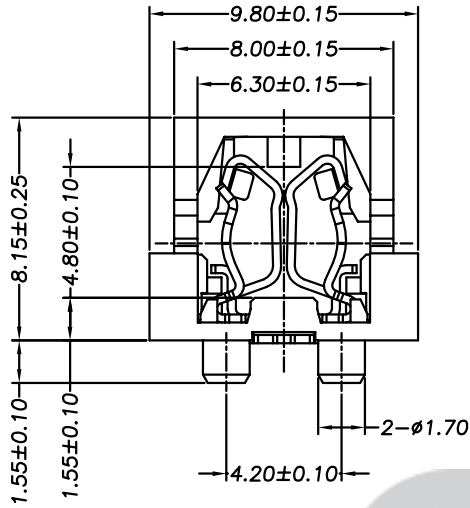


RoHS Compliant

成品图



PCB LAYOUT

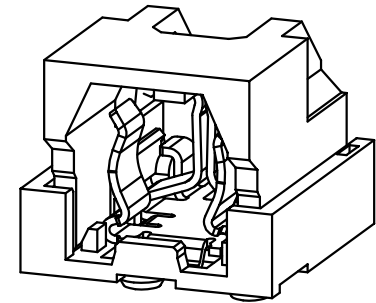
SPECIFICATION

Current rating:1A AC,DC
 Voltage rating:3000V AC,DC
 Temperature range:-25°C~+85°C
 Contact resistance:20mΩ Max.
 Insulation resistance:1000MΩ Min.
 Withstanding voltage:3000V AC/minute

ORDER INFORMATION:

A4301AWR-01-B1MB-R

PART No.:	PACKAGING:
No. OF CIRCUITS:	R=Reel
PLASTIC MATERIAL:	PLATING:
B1M=PA46 (Nature)	B=Matte Sn



Tolerance X.X ±0.30 X.XX ±0.20 X.XXX ±0.10 Angle ±3.0°	Model Name: CCFL Socket Connectors	Drawn: 张育斌 2016.06.12
	Model No: A4301AWR-01-B1MB-R	
UNIT: mm	SCALE: FULL	REVISION: B/0
	CNJST 浙江捷仕泰电子有限公司 ZHEJIANG JIESHITAI ELECTRONIC CO., LTD	
		Checked: 林旭芝
		Approved: 刘祚杰
		DWG NO. CNJST/GCCP-0278

REV.	DATE	DESCRIPTION	APPD.	NO.	DESCRIPTION	QTY	MATERIAL	PLATING/COLOR
B/0	2016.06.12	NEW RELEASE		③	Solder Tab	2	Phosphor Bronze	Mattn Sn
				②	Contacts	2~30	Phosphor Bronze	Mattn Sn
				①	Insulator	1	PA46(UL94V-0)	Nature