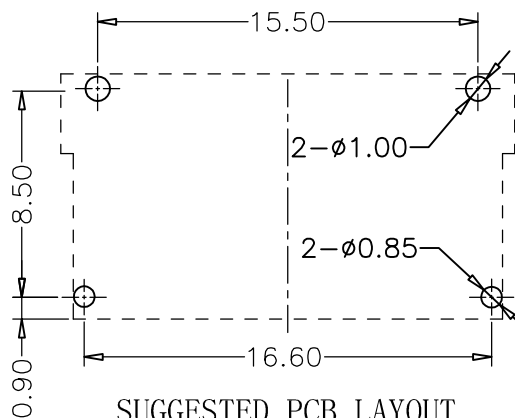
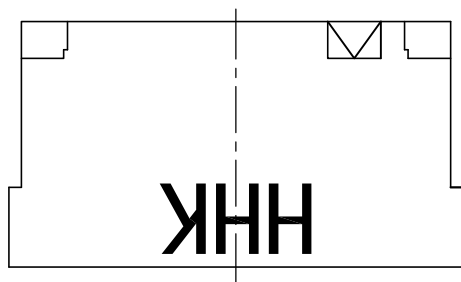


RoHS Compliant

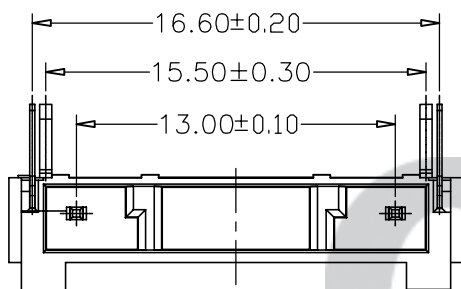
成品图



SUGGESTED PCB LAYOUT
(COMPONENT SIDE)

SPECIFICATION

- 1 Contact resistance: $\leq 10m\Omega$
- 2 Insulation resistance: $\geq 1000M\Omega$
- 3 Rated voltage: 3000 V AC DC
- 4 Rated current: 1.0 A AC DC
- 5 Withstand Voltage: 5000V AC/minute
- 6 Temperature Range: $-25^{\circ}C \sim +85^{\circ}C$

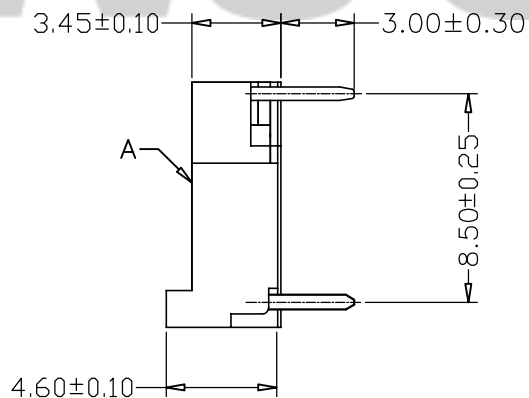
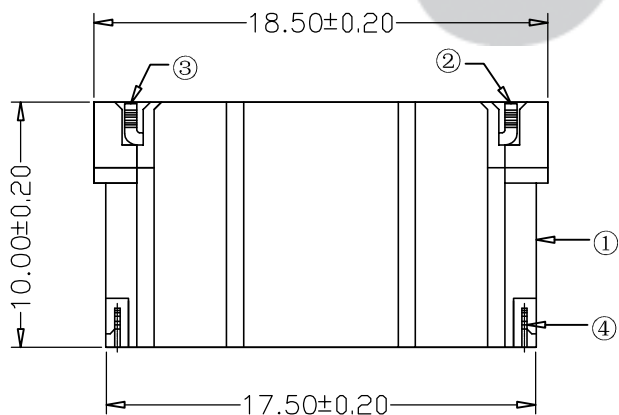


ORDER INFORMATION:

A1303AW-02-D1MB-G

PART No. _____
 No. OF CIRCUITS: _____
 PLASTIC MATERIAL: _____
 CIM=PA6T
 DIM=PA9T

PACKAGING:
 G=TUBE
 PLATING:
 A=Tin-Plated
 B=Matte Sn



NO.	DESCRIPTION	QTY	MATERIAL	PLATING/COLOR
④	Solder Tabs	2	Phosphor Bronze	Mattn Sn
③	Contacts 2	1	Phosphor Bronze	Mattn Sn
②	Contacts 1	1	Phosphor Bronze	Mattn Sn
①	Insulator	1	PA9T (UL94V-0)	Nature

Tolerance	
X.X	±0.30
X.XX	±0.20
X.XXX	±0.10
Angle	±3.0°
UNIT:	mm

Model Name:	13.00mm pitch 90° Wafer
Model No:	A1303AW-02-D1MB-G
SCALE:	FULL
REVISION:	B/0
CNJST 浙江捷仕泰电子有限公司 ZHEJIANG JIESHITAI ELECTRONIC CO., LTD	

Drawn:	张育斌2016.06.12
Checked:	林旭芝
Approved:	刘祚杰
DWG NO.	CNJST/GCCP-0213

REV.	DATE	DESCRIPTION	APPD.
B/0	2016.04.12	NEW RELEASE	