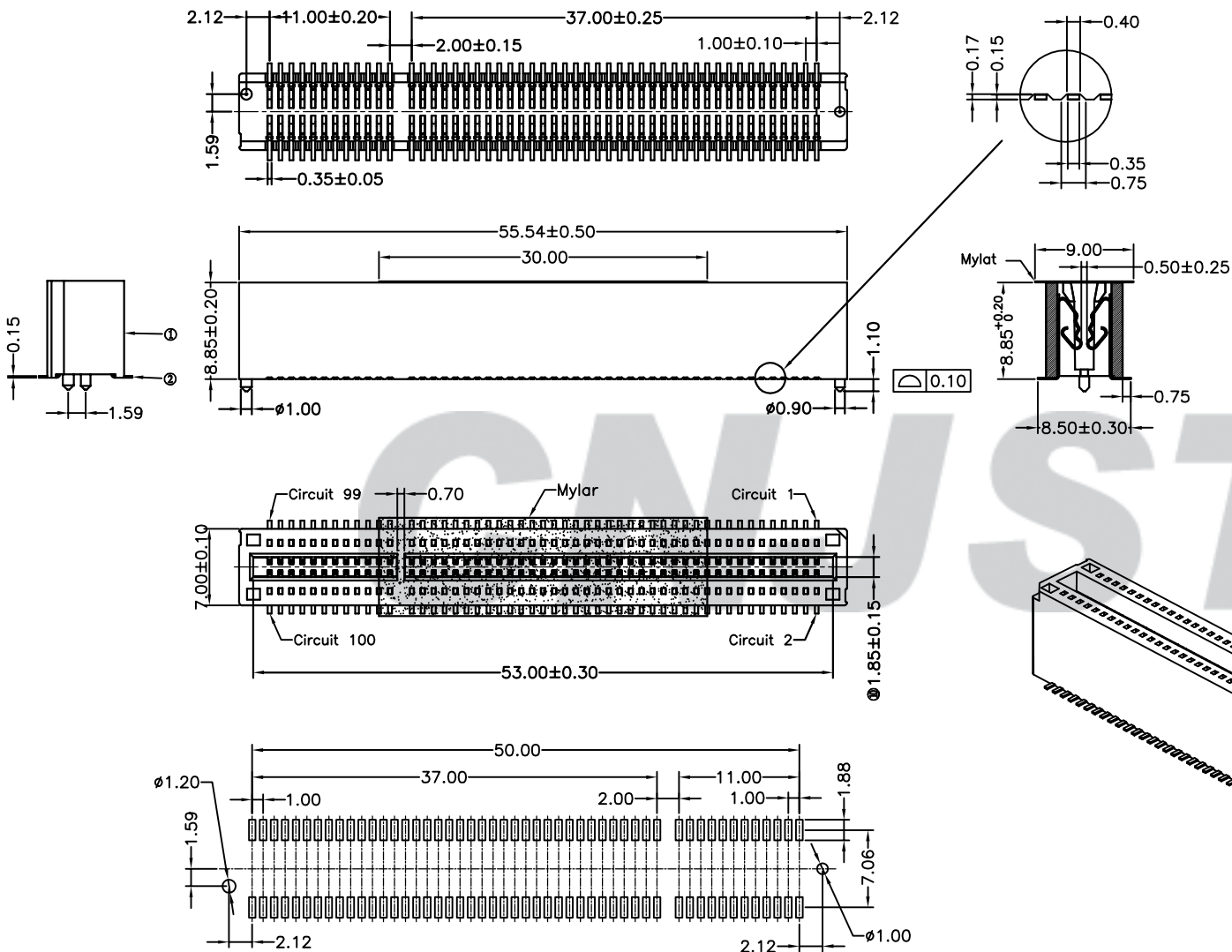


RoHS Compliant

成品图



SPECIFICATION

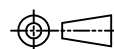
- 1 Contact resistance: $\leq 30\text{m}\Omega$
- 2 Insulation resistance: $\geq 5000\text{M}\Omega$
- 3 Rated voltage: 3000 V AC DC
- 4 Rated current: 2.0 A AC DC
- 5 Withstand Voltage: 500V AC/minute
- 6 Temperature Range: $-55^{\circ}\text{C} \sim +105^{\circ}\text{C}$

ORDER INFORMATION:

B1002M-250-F1KG-R-M

| | | |
|-------------------|-----------------|---------------------------|
| PART No. | | SPECIAL CODE: |
| No. OF CIRCUITS: | 2X50 | M=Mylar |
| PLASTIC MATERIAL: | F1K=LCP (Black) | PACKAGING: R=REEL |
| | | PLATING: G=Matte Tin/Gold |

SUGGESTED PCB LAYOUT (COMPONENT SIDE)

| | | |
|--|---|-------------------------|
| Tolerance | Model Name: 1.00mm PITCH 180° WAFER-SMT TYPE | Drawn: 蔡忠忠 2016.06.11 |
| X.X ± 0.30 | Model No: B1002M-250-F1KG-R-M | |
| X.XX ± 0.20 |  SCALE: FULL REVISION: B/0 | Checked: 林旭芝 |
| X.XXX ± 0.10 | | Approved: 刘祚杰 |
| Angle $\pm 3.0^{\circ}$ | | UNIT: mm |
| CNJST 浙江捷仕泰电子有限公司 ZHEJIANG JIESHITAI ELECTRONIC CO., LTD | | DWG NO. CNJST/GCCP-0203 |

| REV. | DATE | DESCRIPTION | APPD. | NO. | DESCRIPTION | QTY | MATERIAL | PLATING/COLOR |
|------|------------|-------------|-------|-----|-------------|-----|-----------------|----------------|
| B/0 | 2016.06.11 | NEW RELEASE | | ② | Contacts | 100 | Phosphor Bronze | Matte Tin/Gold |
| | | | | ① | Insulator | 1 | LCP (UL94V-0) | Black |