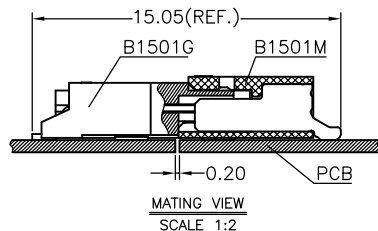


RoHS Compliant

成品图



SPECIFICATION

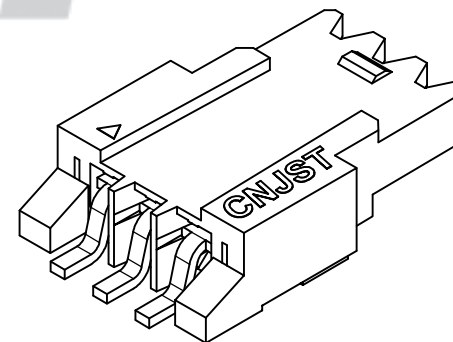
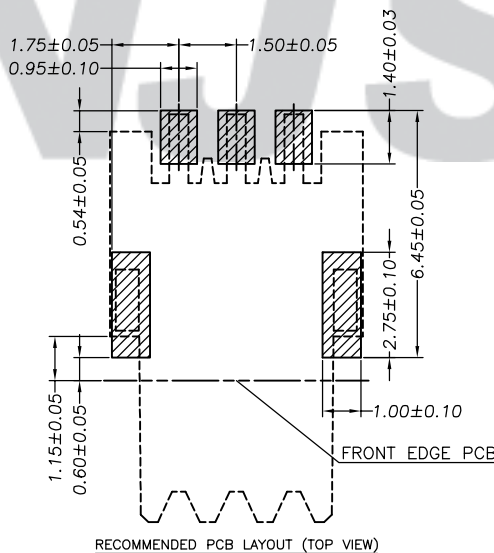
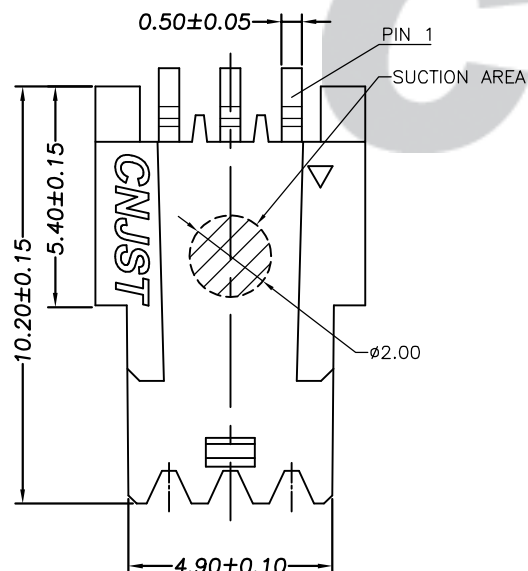
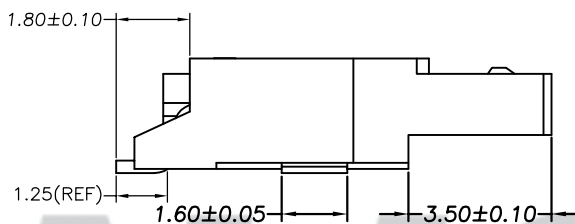
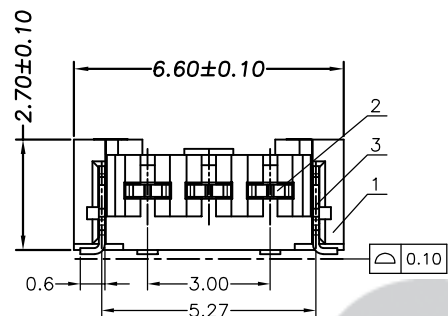
- 1 Contact resistance: $\leq 20m\Omega$
- 2 Insulation resistance: $\geq 100M\Omega$
- 3 Rated voltage: 150 V AC DC
- 4 Rated current: 1 A AC DC
- 5 Withstand Voltage: 1000V AC/minute
- 6 Temperature Range: $-25^{\circ}C \sim +85^{\circ}C$

ORDER INFORMATION:

B1501G-03-F2MB-R

PART No. _____
 No. OF CIRCUITS: _____
 03 _____
 PLASTIC MATERIAL: _____
 F2M=LCP (BEIGE) _____

PACKAGING: _____
 R=Reel _____
 PLATING: _____
 A=Sn _____



专利产品

REV.	DATE	DESCRIPTION	APPD.
B/02	2016.04.12	NEW RELEASE	

③	Solder Tab	2	Brass	Mattn Sn
②	Contacts	3	Phosphor Bronze	Mattn Sn
①	Insulator	1	LCP (UL94V-0)	Nature
NO.	DESCRIPTION	QTY	MATERIAL	PLATING/COLOR

Tolerance	Model Name: 1.50mm pitch BTB Male SMT R/A TYPE	Drawn: 张育斌 2016.04.13
X.X ±0.30	Model No: B1501G-03-F2MB-R	
X.XX ±0.20	SCALE: FULL REVISION: B/0	Checked: 林旭芝
X.XXX ±0.10		Approved: 刘祚杰
Angle ±3.0°	UNIT: mm	DWG NO. CNJST/GCCP-0279
CNJST 浙江捷仕泰电子有限公司 ZHEJIANG JIESHITAI ELECTRONIC CO., LTD		