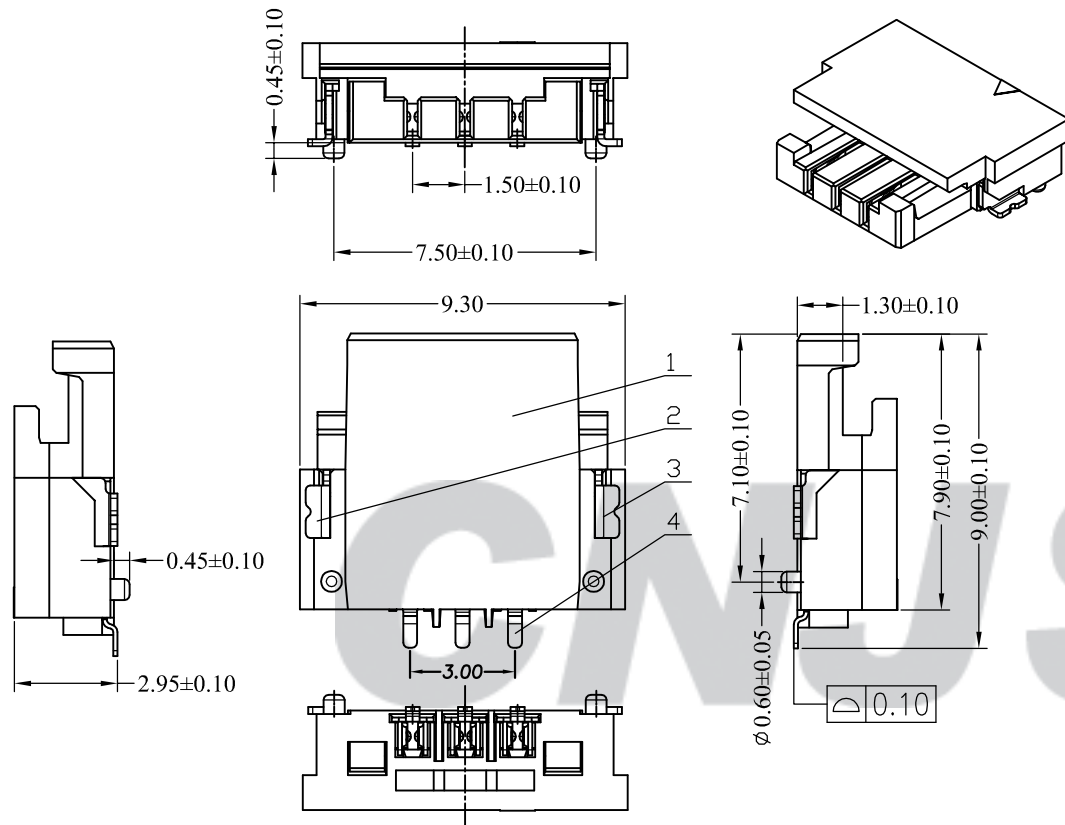


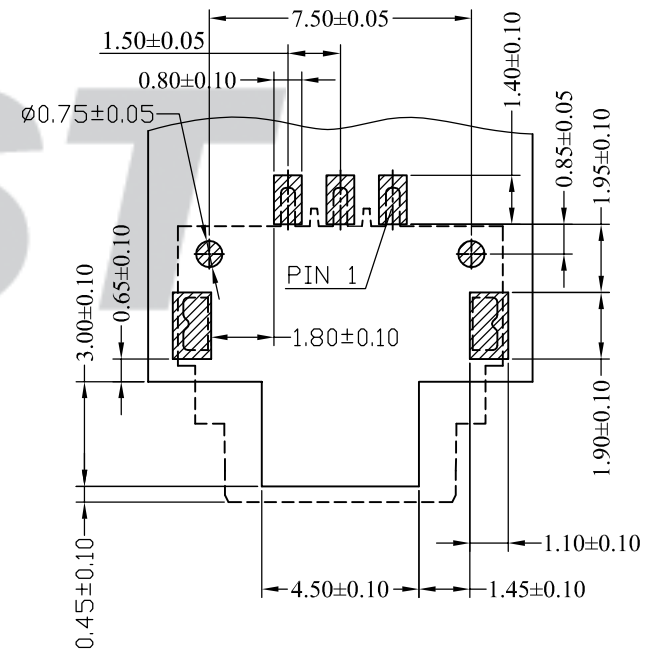
RoHS Compliant

成品图



SPECIFICATION

- 1 Contact resistance: $\leq 20m\Omega$
- 2 Insulation resistance: $\geq 1000M\Omega$
- 3 Rated voltage: 250 V AC DC
- 4 Rated current: 1 A AC DC
- 5 Withstand Voltage: 1500V AC/minute
- 6 Temperature Range: $-25^{\circ}C \sim +85^{\circ}C$



ORDER INFORMATION:

B1502GA-03-F2MB-R

PART No. _____
 No. OF CIRCUITS: _____ PACKAGING: R=Reel
 03
 PLASTIC MATERIAL: _____ PLATING: A=Sn
 F2M=LCP (BEIGE)

专利产品

NO.	DESCRIPTION	QTY	MATERIAL	PLATING/COLOR
④	Contacts	3	Phosphor Bronze	Matte Sn
③	Solder Tab	1	Brass	Matte Sn
②	Solder Tab	1	Brass	Matte Sn
①	Insulator	1	LCP (UL94V-0)	Nature (Beige)

Tolerance	Model Name: 1.50mm pitch BTB FEMALE SMT R/A TYPE
X.X ±0.30	Model No: B1502GA-03-F2MB-R
X.XX ±0.20	
X.XXX ±0.10	
Angle ±3.0°	
UNIT: mm	SCALE: FULL REVISION: B/0
	CNJST 浙江捷仕泰电子有限公司 ZHEJIANG JIESHITAI ELECTRONIC CO., LTD

Drawn: 张育斌 2016.04.13
 Checked: 林旭芝
 Approved: 刘祚杰
 DWG NO. CNJST/GCCP-0317

REV.	DATE	DESCRIPTION	APPD.
B/0	2016.04.12	NEW RELEASE	