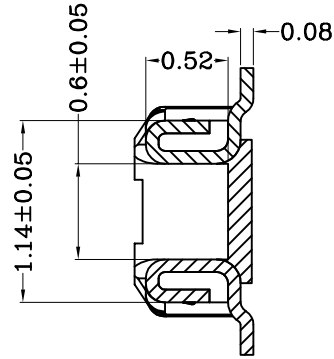
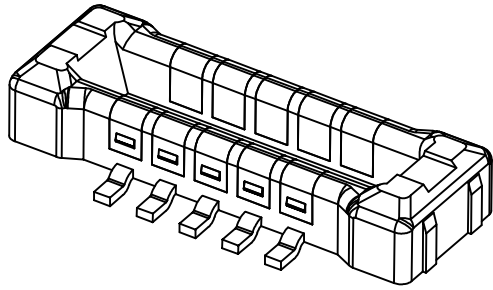
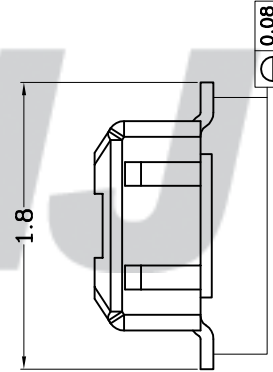
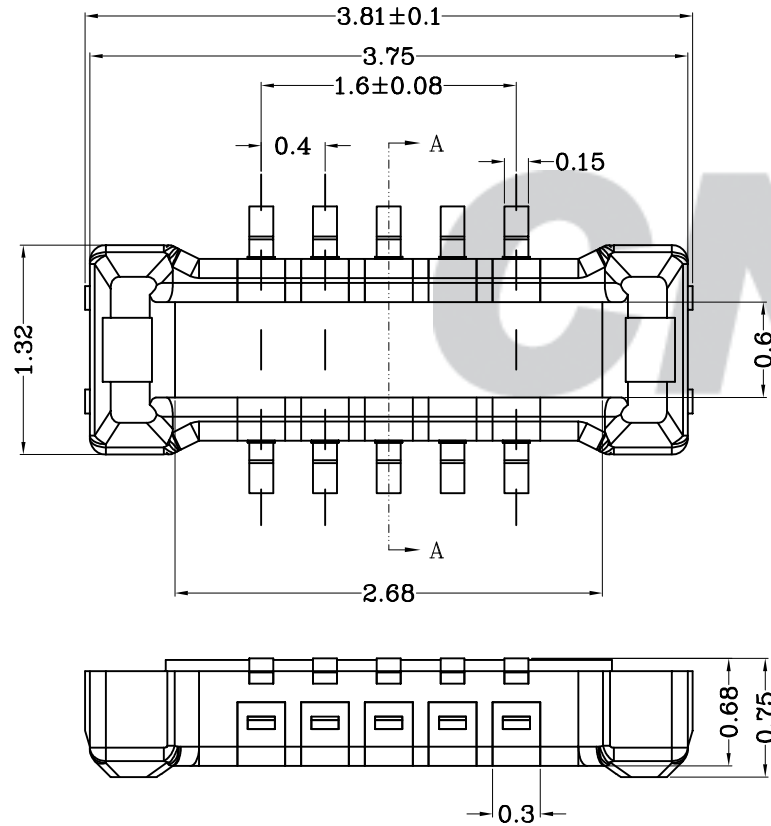


RoHS Compliant

成品图



SECTION A-A

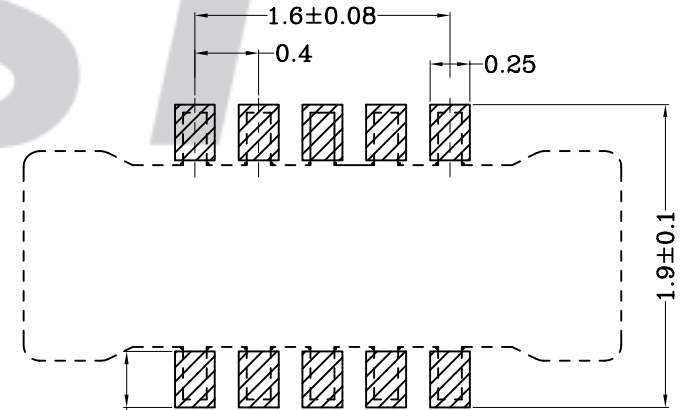


SPECIFICATION

- 1 Contact resistance: $\leq 30m\Omega$
- 2 Insulation resistance: $\geq 500M\Omega$
- 3 Rated voltage: 50 V AC DC
- 4 Rated current: 0.3A AC DC
- 5 Withstand Voltage: 250V AC/minute
- 6 Temperature Range: $-25^{\circ}C \sim +85^{\circ}C$

ORDER INFORMATION:

B0401G-205-F2KC-R	
PART No.:	PACKAGING:
No. OF CIRCUITS:	R=REEL
205	PLATING:
PLASTIC MATERIAL:	B=Mattn Sn
F2K=LCP (BLACK)	C=Gold-Plated



SUGGESTED PCB LAYOUT (TOP VIEW)

Tolerance X.X ±0.30 X.XX ±0.20 X.XXX ±0.10 Angle ±3.0°	Model Name: 0.40mm pitch BTB FEMALE SMT TYPE	Drawn: 张育斌 2016.05.17
	Model No: B0401G-205-F2KC-R	
UNIT: mm	SCALE: FULL	REVISION: B/0
	Checked: 林旭芝	
Approved: 刘祚杰		DWG NO. CNJST/GCCP-0479
CNJST 浙江捷仕泰电子有限公司 ZHEJIANG JIESHITAI ELECTRONIC CO., LTD		

REV.	DATE	DESCRIPTION	APPD.	NO.	DESCRIPTION	QTY	MATERIAL	PLATING/COLOR
B/0	2016.04.12	NEW RELEASE		②	Material	10	Phosphor Bronze	Gold-Plated
				①	Insulator	1	LCP (UL94V-0)	Nature (Black)