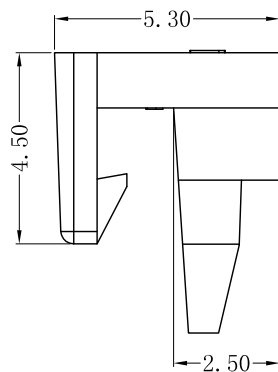
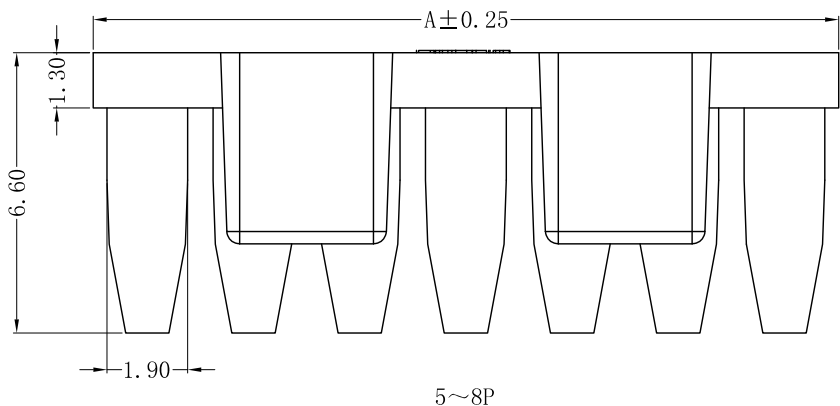


RoHS Compliant

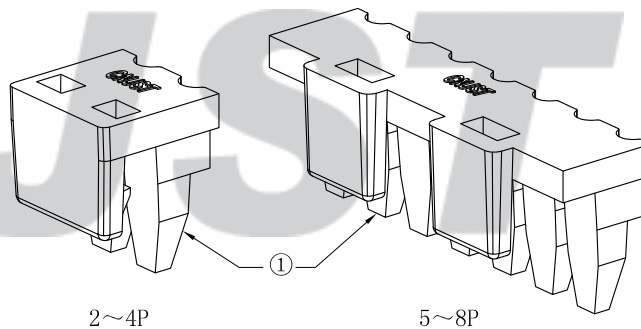
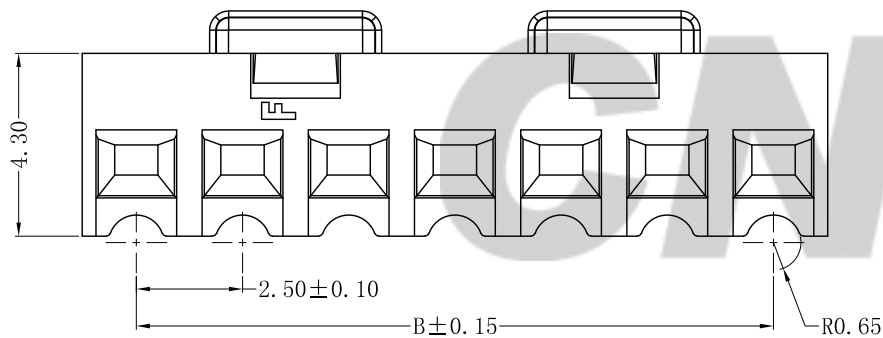


SPECIFICATION

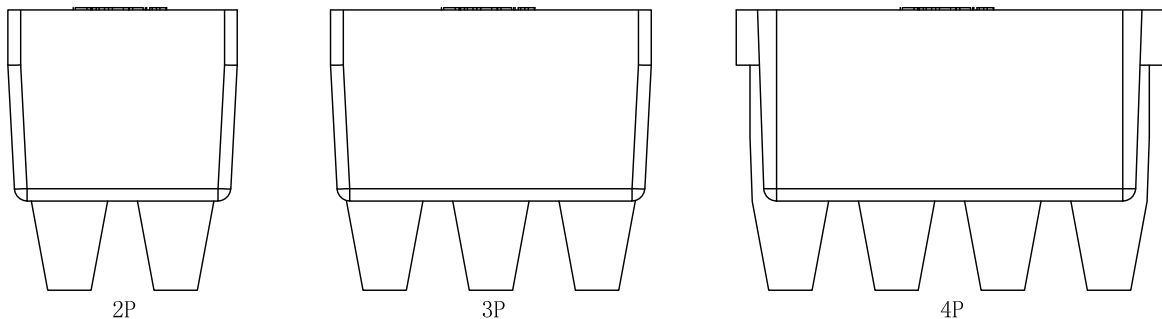
- 1 Temperature Range: $-40^{\circ}\text{C} \sim +125^{\circ}\text{C}$
- 2 Recommended to use Solid wire
AWG#28~22 (0.08~0.32mm²)

ORDER INFORMATION:

C2501RK-**-A6W-P		
PART No. _____	PACKAGING: _____	
No. OF CIRCUITS: _____	P=PE	
02~08	PLASTIC MATERIAL: _____	
	A6W=PA66 (White)	



Circuits	Dimensions (mm)	
	A	B
02	5.40	2.50
03	7.55	5.00
04	10.05	7.50
05	12.55	10.00
06	15.05	12.50
07	17.55	15.00
08	20.05	17.50



注：建议客户优先选择我司公母端产品配套使用，若在没有使用我司公母端配套产品情况下，出现因产品不匹配的质量问题，我司将不承担任何风险及责任。

专利产品

REV.	DATE	DESCRIPTION	APPD.	NO.	DESCRIPTION	QTY	MATERIAL	PLATING/COLOR
C/0	2022.08.20	更新模板	王程伟					
B/0	2020.01.11	NEW RELEASE		①	Insulator	1	PA66 (UL94V-0)	White

Tolerance	
X.X	±0.30
X.XX	±0.20
X.XXX	±0.10
Angle	±3.0°
UNIT:	mm

CNJST 捷仕泰企业

Model No.: C2501RK-**-A6W-P

Model Name: 2.50mm PITCH HOUSING Lock

UNIT: mm

SCALE: FULL REVISION: C/0

Drawn: 王程伟	2022.08.20
Checked: 吴丹平	
Approved: 林旭芝	
DWG NO. CNJST/GCCP-0558	