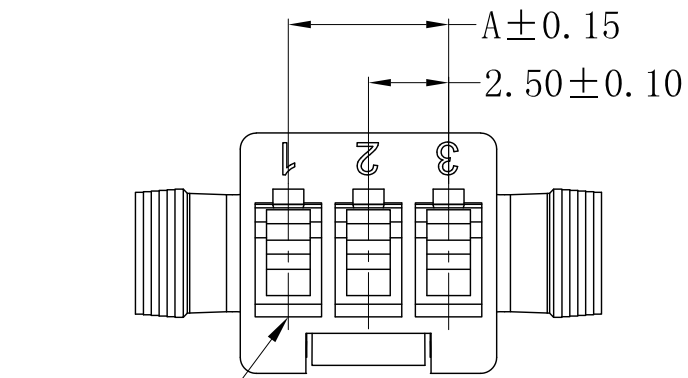
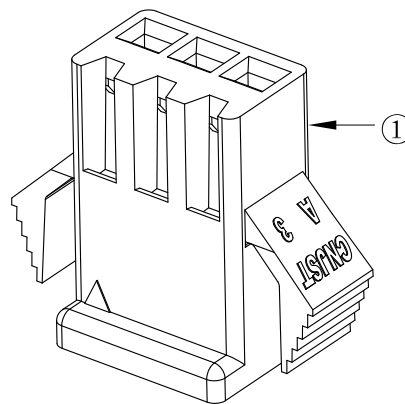


RoHS Compliant



Circuit 1

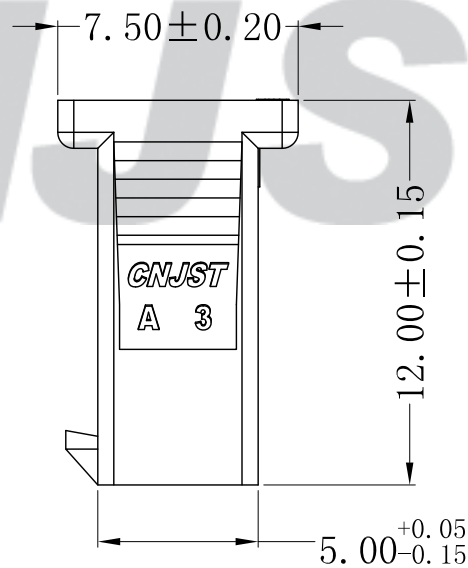
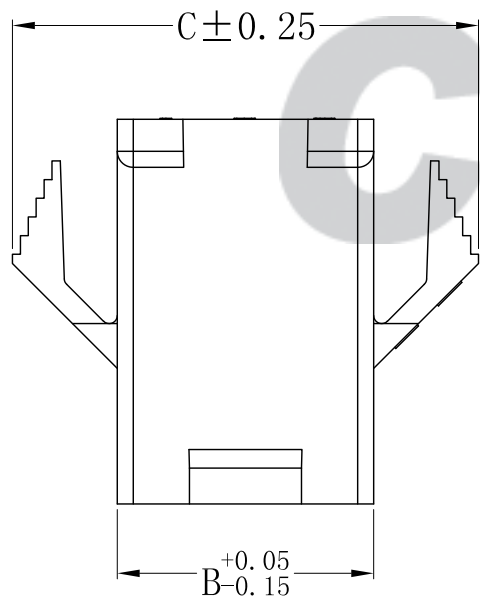


SPECIFICATION

- 1 Contact resistance: $\leq 10m\Omega$
- 2 Insulation resistance: $\geq 500M\Omega$
- 3 Rated voltage: 250 V AC DC
- 4 Rated current: 3.0 A AC DC
- 5 Withstand Voltage: 1500V AC/minute
- 6 Temperature Range: $-40^{\circ}C \sim +125^{\circ}C$

ORDER INFORMATION:

C2501R-**-A8K-P			
PART No.:		PACKAGING:	
No. OF CIRCUITS:		P=PE	
02~12		PLASTIC MATERIAL:	
		A8K=PA66 (Black)	



Circuits	Dimensions (mm)		
	A	B	C
02	2.50	5.50	11.50
03	5.00	8.00	14.50
04	7.50	10.50	17.00
05	10.00	13.00	19.50
06	12.50	15.50	22.00
07	15.00	18.00	24.50
08	17.50	20.50	27.00
09	20.00	23.00	29.50
10	22.50	25.50	32.00
11	25.00	28.00	34.50
12	27.50	30.50	37.00

注：建议客户优先选择我司公母端产品配套使用，若在没有使用我司公母端配套产品情况下，出现因产品不匹配的质量问题，我司将不承担任何风险及责任。

专利产品

Tolerance X.X ±0.30 X.XX ±0.20 X.XXX ±0.10 Angle ±3.0°	CNJST 捷仕泰企业		Drawn: 王程伟 2022.08.20
	Model No.: C2501R-**-A8K-P		Checked: 吴丹平
UNIT: mm	Model Name: 2.50mm PITCH HOUSING-RECEPTACLE	Approved: 林旭芝	DWG NO. CNJST/GCCP-0132
	SCALE: FULL	REVISION: C/0	

REV.	DATE	DESCRIPTION	APPD.	NO.	DESCRIPTION	QTY	MATERIAL	PLATING/COLOR
C/0	2022.08.20	更新模板	王程伟					
B/0	2020.01.11	NEW RELEASE		①	Insulator	1	PA66 (UL94V-0)	Black