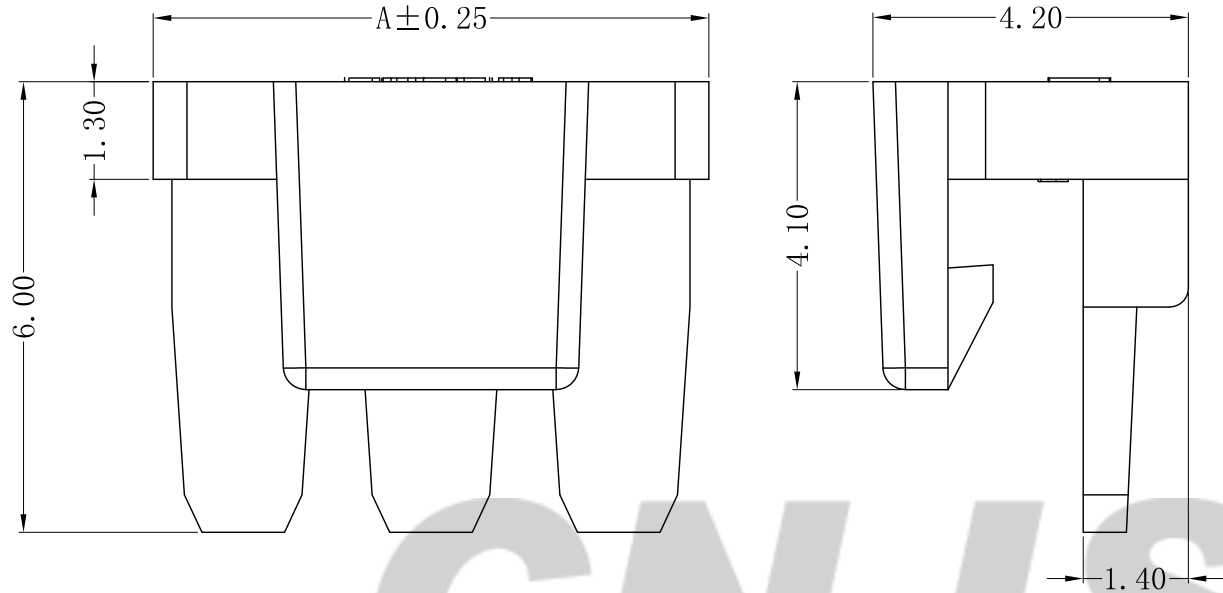


RoHS Compliant

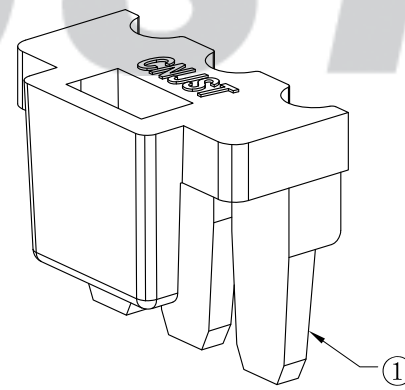
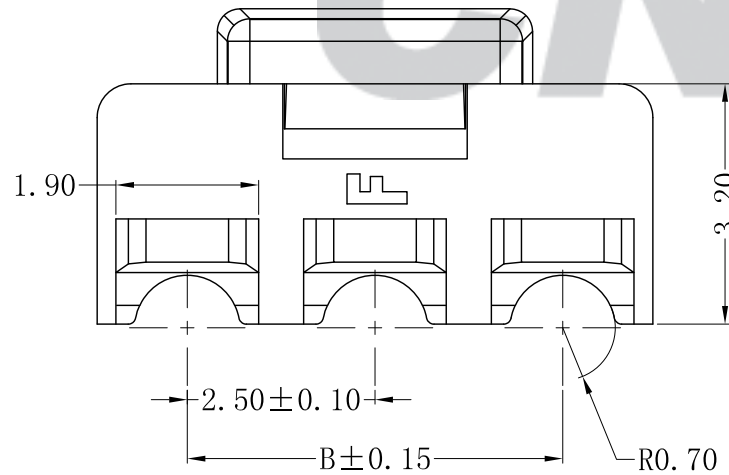


SPECIFICATION

- 1 Temperature Range: $-40^{\circ}\text{C} \sim +125^{\circ}\text{C}$
- 2 Recommended to use Solid wire
AWG#28~22 (0.08~0.32mm²)

ORDER INFORMATION:

C2501PK-**-A6W-P		
PART No.		PACKAGING:
No. OF CIRCUITS:		P=PE
02~08		PLASTIC MATERIAL:
		A6W=PA66 (White)



Circuits	Dimensions (mm)	
	A	B
02	5.00	2.50
03	7.40	5.00
04	9.90	7.50
05	12.40	10.00
06	14.90	12.50
07	17.40	15.00
08	19.90	17.50

注: 建议客户优先选择我司公母端产品配套使用, 若在没有使用我司公母端配套产品情况下, 出现因产品不匹配的质量问题, 我司将不承担任何风险及责任。

专利产品

Tolerance X.X ±0.30 X.XX ±0.20 X.XXX ±0.10 Angle ±3.0°	CNJST 捷仕泰企业	Drawn: 王程伟 2022.08.20
		Checked: 吴丹平
UNIT: mm	Model No.: C2501PK-**-A6W-P	Approved: 林旭芝
	Model Name: 2.50mm PITCH HOUSING Lock	DWG NO. CNJST/GCCP-0557
	SCALE: FULL	REVISION: C/0

REV.	DATE	DESCRIPTION	APPD.	NO.	DESCRIPTION	QTY	MATERIAL	PLATING/COLOR
C/0	2022.08.20	更新模板	王程伟					
B/0	2020.01.11	NEW RELEASE		①	Insulator	1	PA66 (UL94V-0)	White