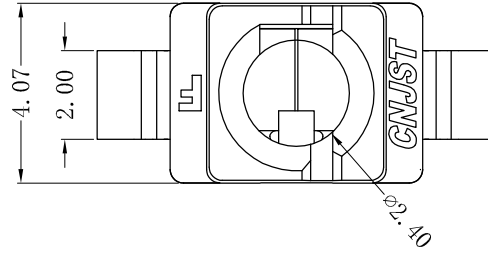
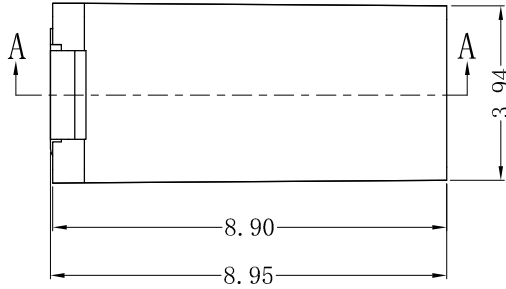


RoHS Compliant

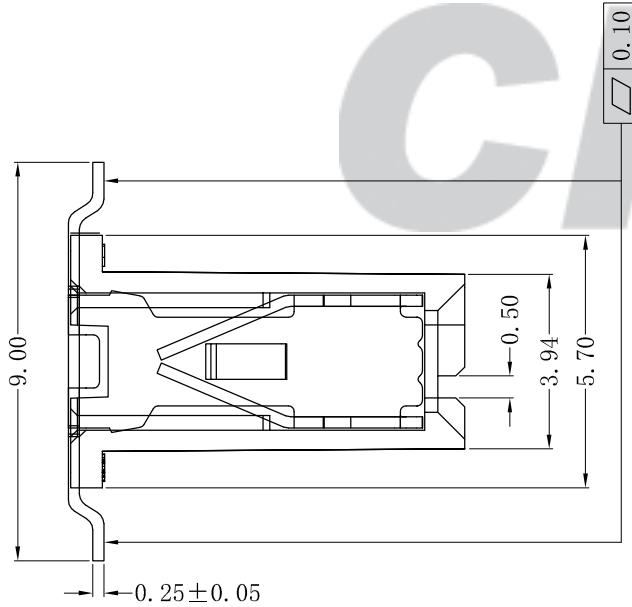


SPECIFICATION

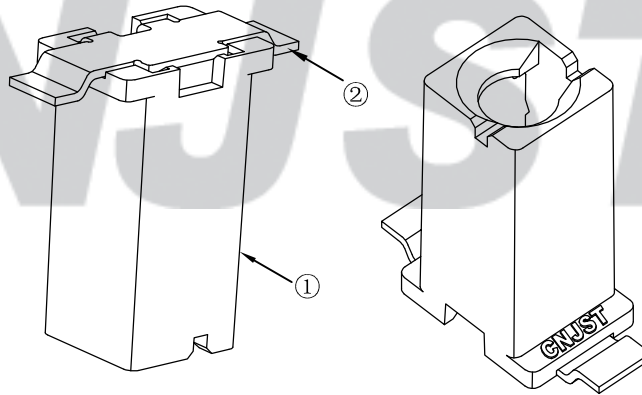
- 1 Contact resistance: $\leq 20m\Omega$
- 2 Insulation resistance: $\geq 1000M\Omega$
- 3 Rated voltage: 300 V AC DC
- 4 Rated current: 7.0 A AC DC
- 5 Withstand Voltage: 1500V AC/minute
- 6 Temperature Range: $-25^{\circ}C \sim +85^{\circ}C$
- 7 Recommended to use Solid wire
AWG#26~18(Insulation O.D. 2.2mm Max)

ORDER INFORMATION:

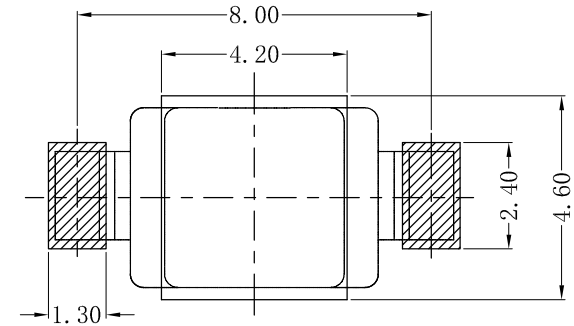
T4003M-01-B1MA-R	
PART No.:	PACKAGING:
No. OF CIRCUITS:	R=REEL
01	PLATING:
PLASTIC MATERIAL:	A=Tin
B1M=PA46 (Nature)	



SECTION A-A



电流标准			
线径 (#)	电流 (A)	线径 (#)	电流 (A)
18	7.0	24	2.0
20	5.0	26	1.0
22	3.0		



SUGGESTED PCB LAYOUT

(COMPONENT SIDE)

专利产品

REV.	DATE	DESCRIPTION	APPD.	NO.	DESCRIPTION	QTY	MATERIAL	PLATING/COLOR
C/1	2023.07.29	增加最大线径备注	马海媚					
C/0	2022.12.09	统一标准 更新模版	黄羨程	②	Contacts	1	Phosphor Bronze	Tin-plated
B/0	2020.05.12	NEW RELEASE	黄羨程	①	Insulator	1	PA46 (UL94V-0)	Nature

Tolerance	X.X ±0.30
	X.XX ±0.20
	X.XXX ±0.10
Angle	±3.0°
UNIT:	mm

CNJST 捷仕泰企业	
Model No.: T4003M-01-B1MA-R	
Model Name: 4.00mm PITCH 180° WAFER	
	SCALE: FULL
	REVISION: C/1

Drawn: 马海媚 2023.07.29
Checked: 吴丹平
Approved: 林旭芝
DWG NO.: CNJST/GCCP-0544