

RoHS Compliant

SPECIFICATION

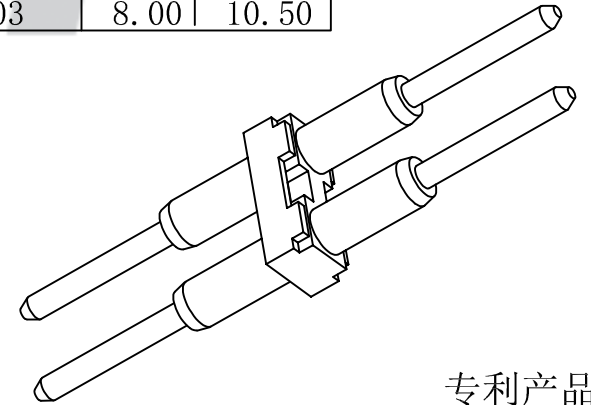
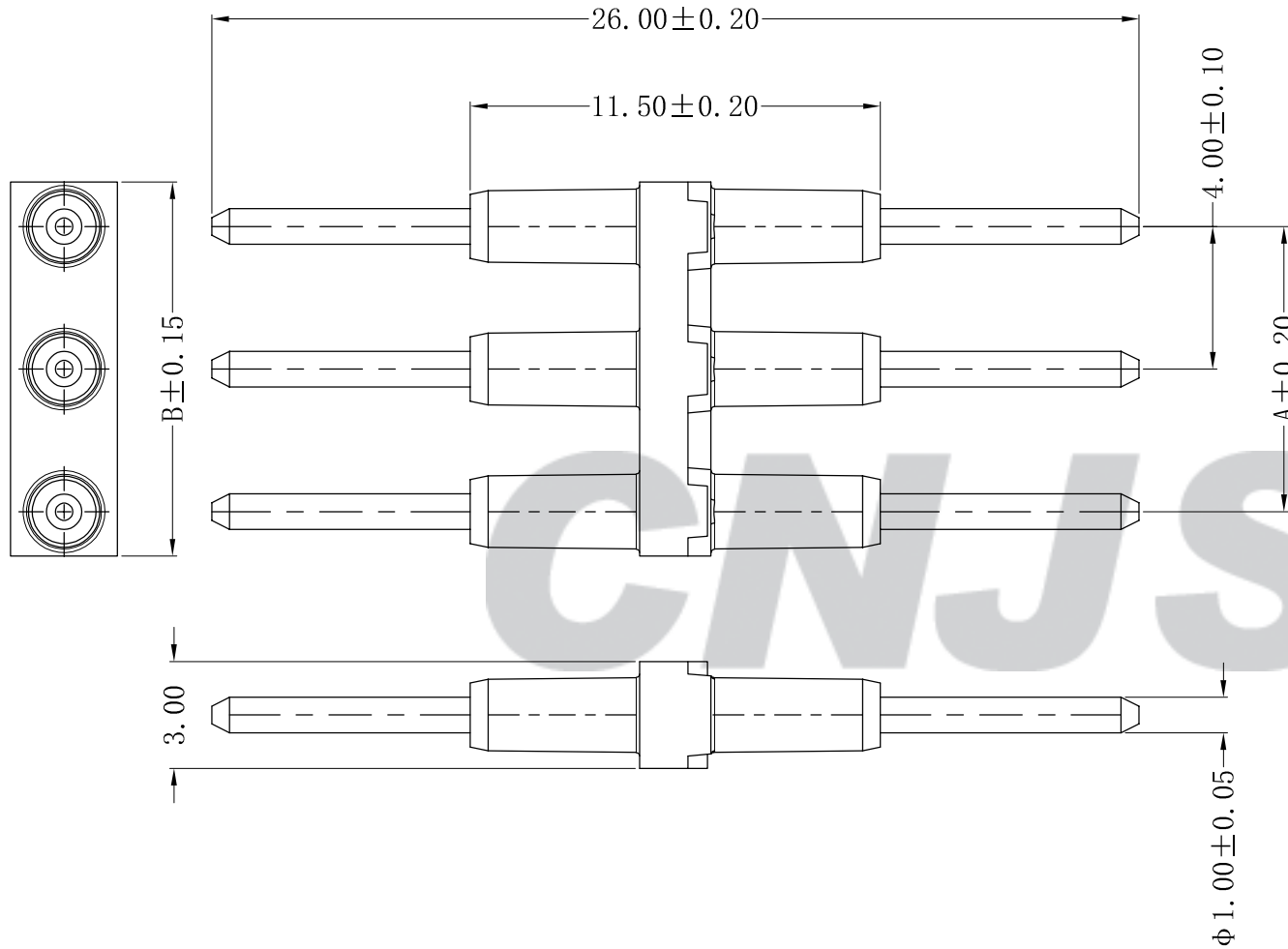
- 1 Contact resistance:  $\leq 20m\Omega$
- 2 Insulation resistance:  $\geq 1000M\Omega$
- 3 Rated voltage: 300V AC DC
- 4 Rated current: 9.0 A AC DC
- 5 Withstand Voltage: 1600V AC/minute
- 6 Temperature Range:  $-25^{\circ}C \sim +85^{\circ}C$

ORDER INFORMATION:

**T4001G-\*\*-A1MA-A**

PART No.:				
No. OF CIRCUITS:	01~03	PACKAGING:	A=TRAY	
PLASTIC MATERIAL:	AIM=PA66 (Nature)	PLATING:	A=Tin-plated	

Circuits	Dimensions (mm)	
	A	B
01	-	3.00
02	4.00	6.50
03	8.00	10.50



专利产品

REV.	DATE	DESCRIPTION	APPD.	NO.	DESCRIPTION	QTY	MATERIAL	PLATING/COLOR
C/0	2022.12.09	统一标准 更新模版	黄羨程	②	Material	1~3	Brass	Tin-plated
B/0	2018.01.25	NEW RELEASE	黄金林	①	Insulator	1	PA66 (UL94V-0)	Nature

Tolerance	
X.X	$\pm 0.30$
X.XX	$\pm 0.20$
X.XXX	$\pm 0.10$
Angle	$\pm 3.0^{\circ}$
UNIT: mm	

**CNJST 捷仕泰企业**

Model No.: T4001G-\*\*-A1MA-A

Model Name: 4.00mm Pitch 180° Wafer

SCALE: FULL    REVISION: C/0

Drawn: 黄羨程 2022.12.09
Checked: 吴丹平
Approved: 林旭芝
DWG NO.: CNJST/GCCP-0475