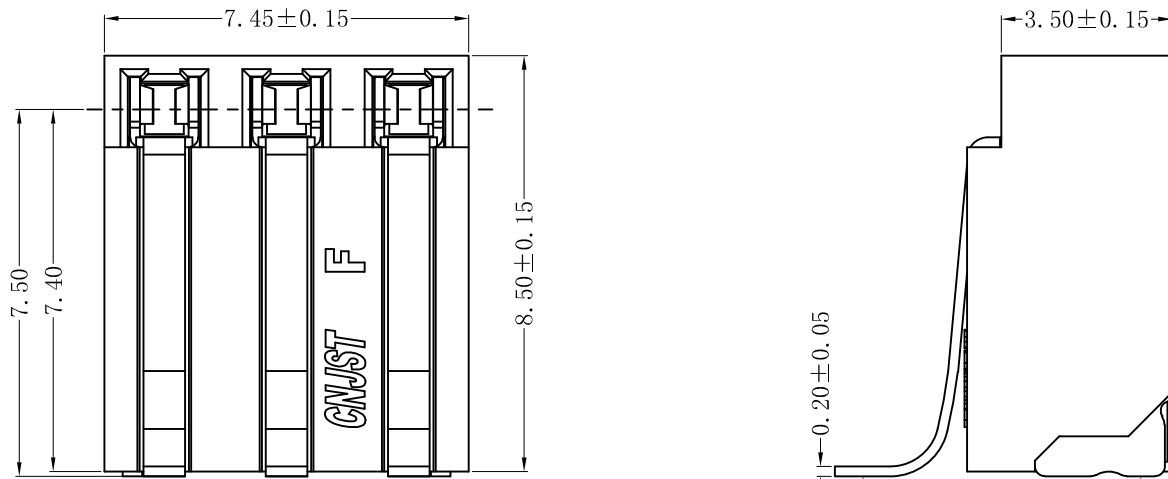


RoHS Compliant



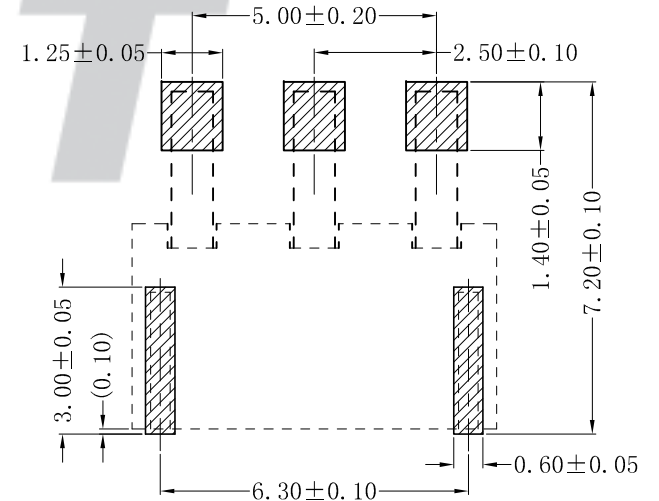
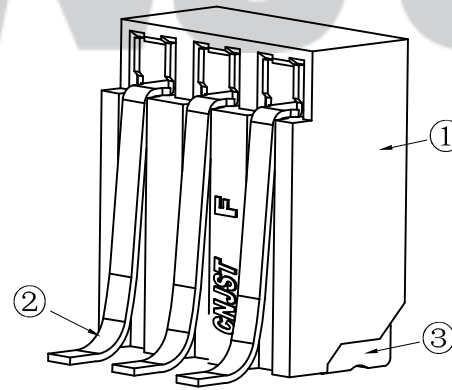
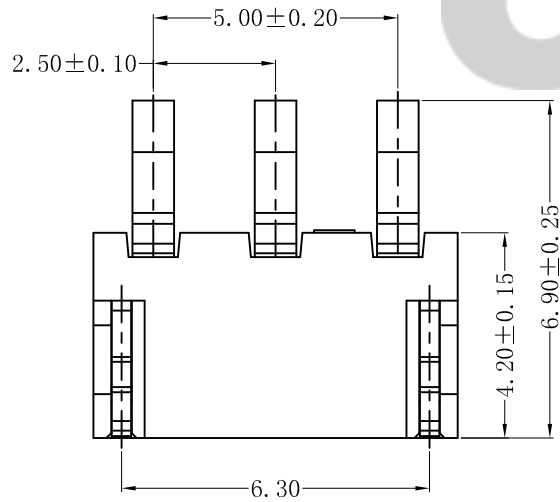
SPECIFICATION

- 1 Contact resistance: $\leq 20m\Omega$
- 2 Insulation resistance: $\geq 1000M\Omega$
- 3 Rated voltage: 300 V AC DC
- 4 Rated current: 2.0 A AC DC
- 5 Withstand Voltage: 1000V AC/minute
- 6 Temperature Range: $-25^{\circ}C \sim +85^{\circ}C$

ORDER INFORMATION:

T2505M-03-F2MA-R

PART No.			
No. OF CIRCUITS:	03	PACKAGING:	R=Reel
PLASTIC MATERIAL:	F2M=LCP (Nature)	PLATING:	A=Tin Plated



SUGGESTED PCB LAYOUT
(COMPONENT SIDE)

Tolerance X.X ±0.30 X.XX ±0.20 X.XXX ±0.10 Angle ±3.0°	CNJST 捷仕泰企业		Drawn: 王丽君 2023.08.25
	Model No.: T2505M-03-F2MA-R		Checked: 吴丹平
	Model Name: 2.50mm Pitch 180° Wafer-SMT TYPE		Approved: 林旭芝
	UNIT: mm	SCALE: FULL	REVISION: C/0
			DWG NO. CNJST/GCCP-0591

REV.	DATE	DESCRIPTION	APPD.	NO.	DESCRIPTION	QTY	MATERIAL	PLATING/COLOR
C/0	2023.08.25	更新模板	王丽君	③	Solder Tabs	2	Brass	Tin Plated
B/0	2021.07.02	NEW RELEASE	黄羨程	②	Contacts	3	Phosphor Bronze	Tin Plated
				①	Insulator	1	LCP (UL94V-0)	Nature