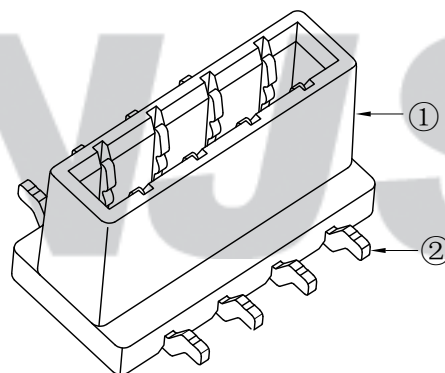
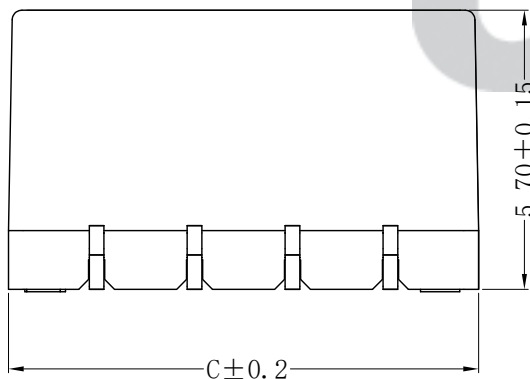
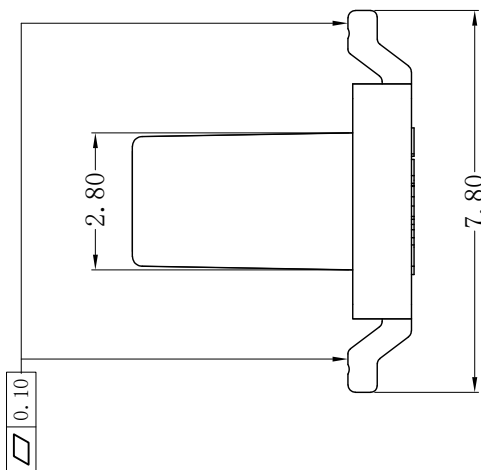
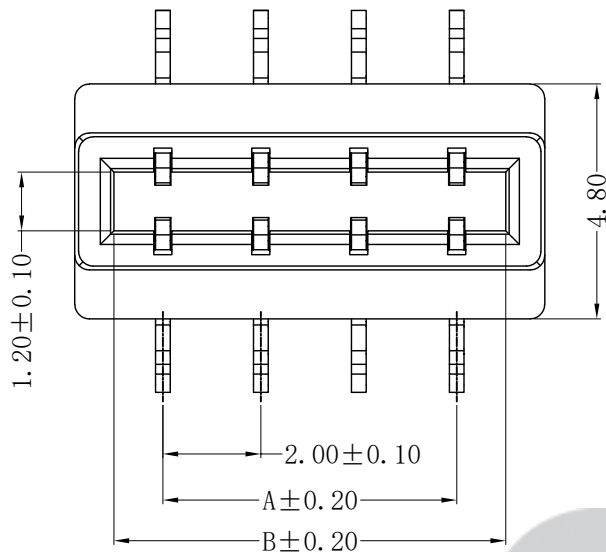


RoHS Compliant

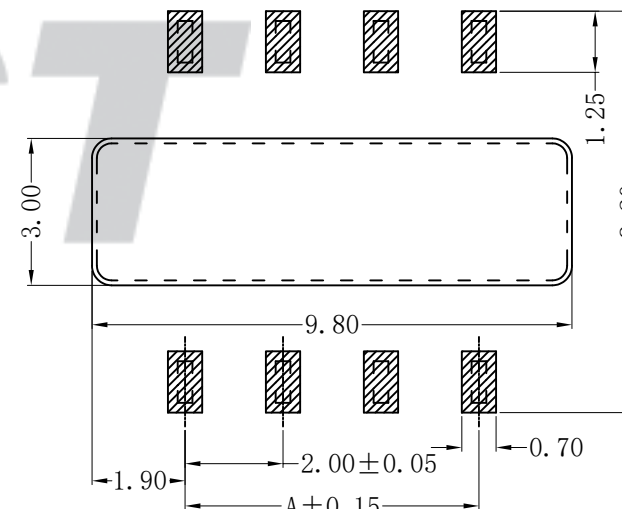
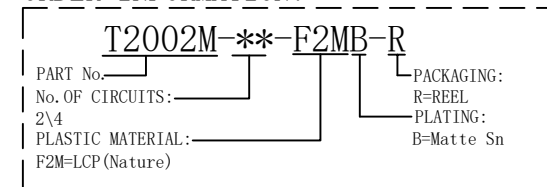


| Circuits | Dimensions (mm) | | |
|----------|-----------------|------|------|
| | A | B | C |
| 02 | 2.00 | 4.00 | 5.60 |
| 04 | 6.00 | 8.00 | 9.60 |

SPECIFICATION

- 1 Contact resistance: $\leq 30m\Omega$
- 2 Insulation resistance: $\geq 500M\Omega$
- 3 Rated voltage: 200 V AC DC
- 4 Rated current: 1.0A AC DC
- 5 Withstand Voltage: 500V AC/minute
- 6 Temperature Range: $-25^{\circ}C \sim +85^{\circ}C$

ORDER INFORMATION:



SUGGESTED PCB LAYOUT
(COMPONENT SIDE)

专利产品

| REV. | DATE | DESCRIPTION | APPD. | NO. | DESCRIPTION | QTY | MATERIAL | PLATING/COLOR |
|------|------------|-------------|-------|-----|-------------|-----|-----------------|---------------|
| C/0 | 2022.12.29 | 模版更新 | 王程伟 | ② | Contacts | 2~4 | Phosphor Bronze | Matte Sn |
| | | | | ① | Insulator | 1 | LCP (UL94V-0) | Nature |

| | |
|-----------|-------------|
| Tolerance | X.X ±0.30 |
| | X.XX ±0.20 |
| | X.XXX ±0.10 |
| Angle | ±3.0° |
| UNIT: | mm |

CNJST 捷仕泰企业

Model No.: T2002M-**-F2MB-R

Model Name: 2.00mm Pitch 180° SMT TYPE

SCALE: FULL

REVISION: C/0

| | |
|-----------|-----------------|
| Drawn: | 王程伟 2022.12.29 |
| Checked: | 吴丹平 |
| Approved: | 林旭芝 |
| DWG NO. | CNJST/GCCP-0439 |