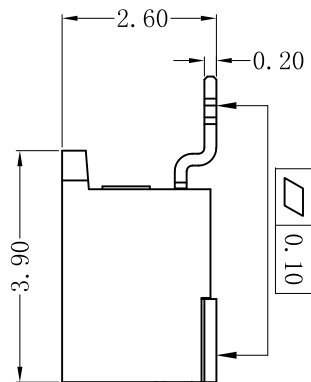
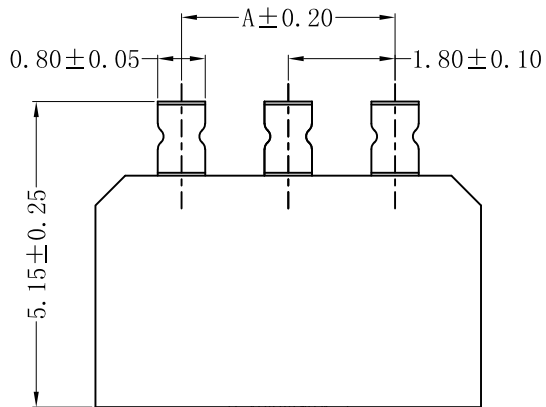


RoHS Compliant



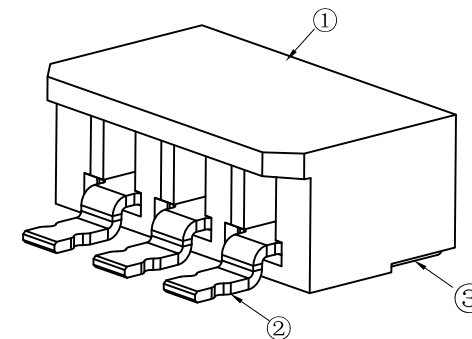
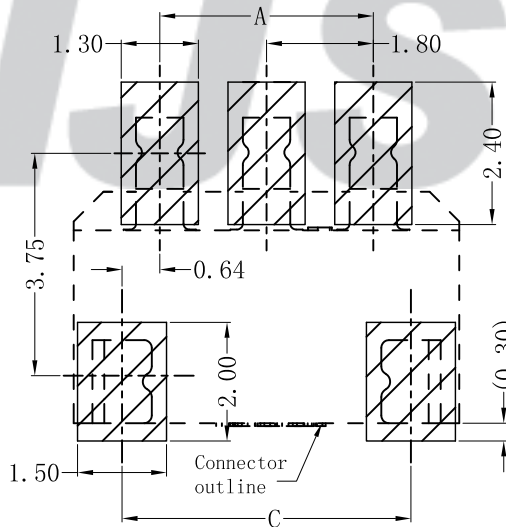
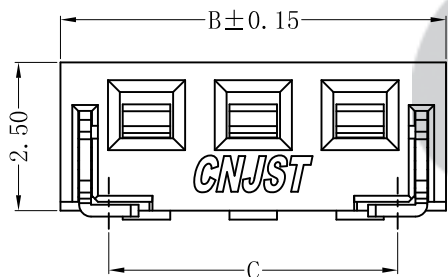
SPECIFICATION

- 1 Contact resistance: $\leq 20m\Omega$
- 2 Insulation resistance: $\geq 800M\Omega$
- 3 Rated voltage: 125 V AC DC
- 4 Rated current: 3.0 A AC DC
- 5 Withstand Voltage: 800V AC/minute
- 6 Temperature Range: $-25^{\circ}C \sim +85^{\circ}C$

ORDER INFORMATION:

T1802M--D1MB-R**

PART No.			
No. OF CIRCUITS:	02~04	PACKAGING:	R=Reel
PLASTIC MATERIAL:	D1M=PA9T (Nature)	PLATING:	B=Mattn Sn



Circuits	Dimensions		
	A	B	C
02	1.80	4.70	3.07
03	3.60	6.50	4.87
04	5.40	8.30	6.67

专利产品

Tolerance	
X.X	± 0.30
X.XX	± 0.20
X.XXX	± 0.10
Angle	$\pm 3.0^{\circ}$

CNJST 捷仕泰企业

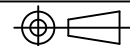
Drawn: 李浩然 2023.01.09

Model No.: T1802M-**-D1MB-R

Checked: 吴丹平

Model Name: 1.80mm Pitch 90° Wafer-SMT TYPE

Approved: 林旭芝



SCALE: FULL

REVISION: C/0

DWG NO.: CNJST/GCCP-0463

UNIT: mm

REV.	DATE	DESCRIPTION	APPD.	NO.	DESCRIPTION	QTY	MATERIAL	PLATING/COLOR
C/O	2023.01.09	更新模板	李浩然	③	Solder Tab	2	Phosphor Bronze	Matte Sn
B/O	2021.04.02	NEW RELEASE		②	Contacts	2~4	Phosphor Bronze	Matte Sn
				①	Insulator	1	PA9T (UL94V-0)	Nature