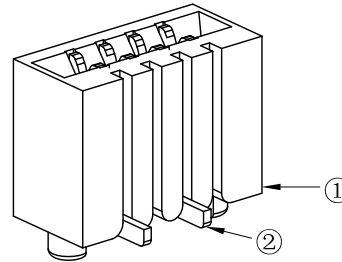
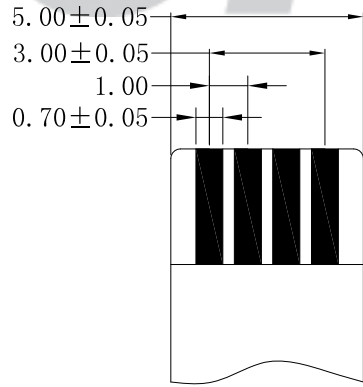
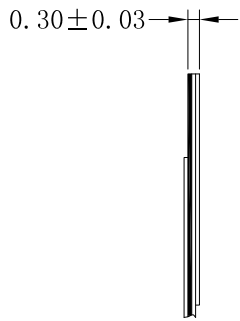
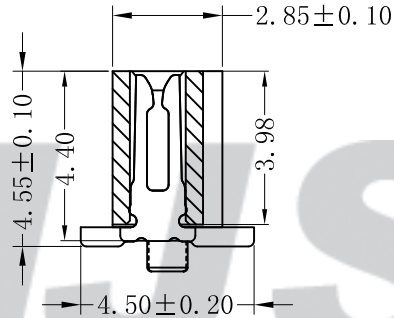
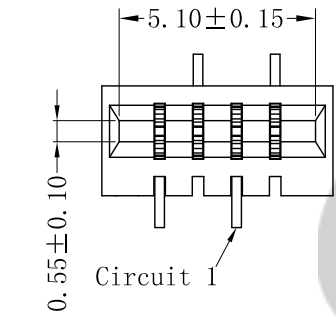
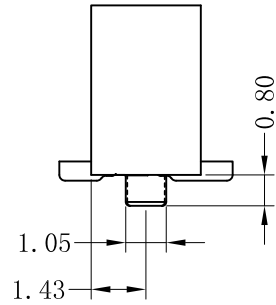
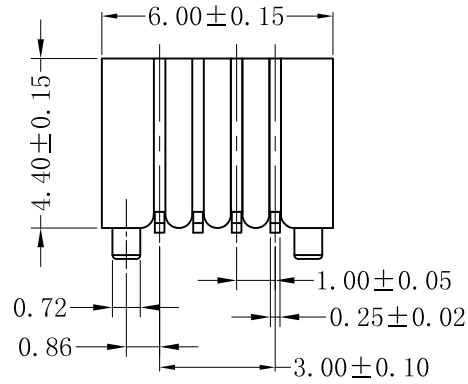


RoHS Compliant

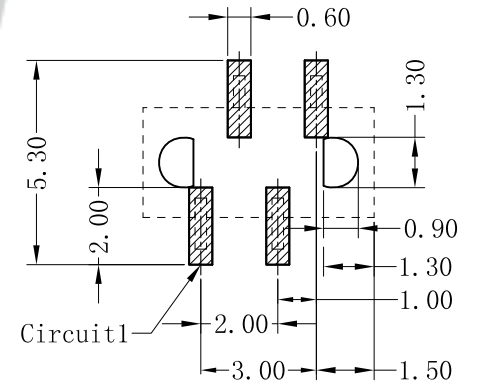


SPECIFICATION

- 1 Contact resistance: $\leq 30m\Omega$
- 2 Insulation resistance: $\geq 500M\Omega$
- 3 Rated voltage: 50 V AC DC
- 4 Rated current: 0.5 A AC DC
- 5 Withstand Voltage: 500V AC/minute
- 6 Temperature Range: $-25^{\circ}C \sim +85^{\circ}C$

ORDER INFORMATION:

F1002AWVB-04-F1KC-A		
PART No.		
No. OF CIRCUITS:		PACKAGING:
04		A=Tray
PLASTIC MATERIAL:		PLATING:
F1K=LCP (BLACK)		C=Gold-Plated



SUGGESTED PCB LAYOUT
(COMPONENT SIDE)

专利产品

Accommodated FFC
(COMPONENT SIDE)

Tolerance	
X.X	± 0.30
X.XX	± 0.20
X.XXX	± 0.10
Angle	$\pm 3.0^{\circ}$

CNJST 捷仕泰企业

Drawn: 李浩然 2022.12.30

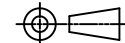
Model No.: F1002AWVB-04-F1KC-A

Checked: 吴丹平

Model Name: 1.00mm pitch 180° SMT FFC/FPC

Approved: 林旭芝

UNIT: mm



SCALE: FULL

REVISION: C/0

DWG NO.: CNJST/GCCP-0237

REV.	DATE	DESCRIPTION	APPD.	NO.	DESCRIPTION	QTY	MATERIAL	PLATING/COLOR
C/0	2022.12.30	更新模板	李浩然	②	Contacts	4	Phosphor Bronze	Gold-plated
B/0	2021.10.10	NEW RELEASE		①	Insulator	1	LCP(UL94V-0)	Black