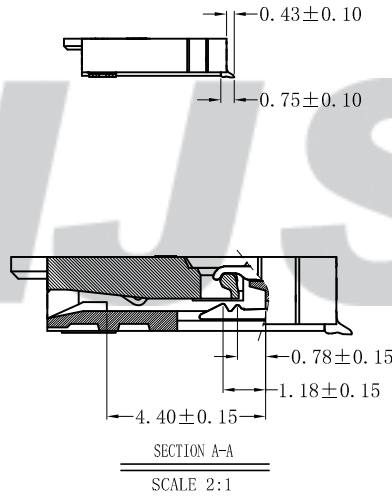
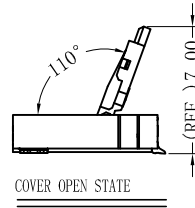
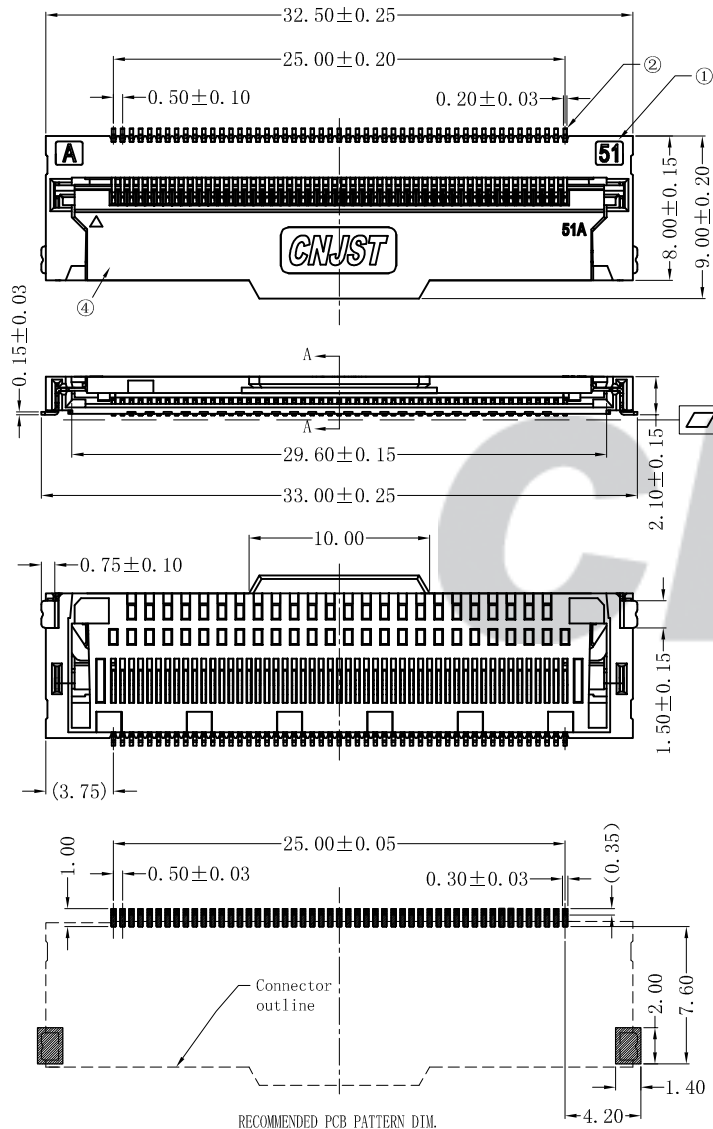


RoHS Compliant

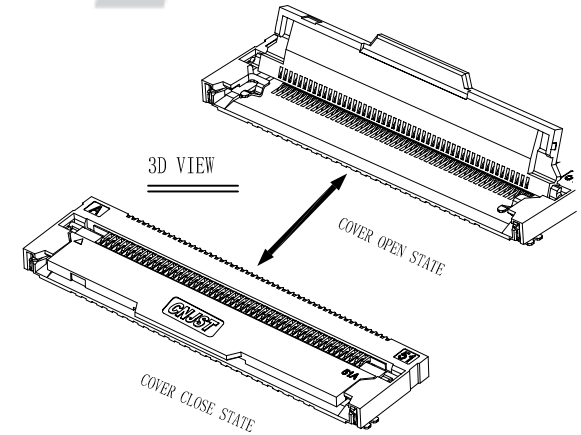


SPECIFICATION

- 1 Contact resistance: $\leq 30m\Omega$
- 2 Insulation resistance: $\geq 100M\Omega$
- 3 Rated voltage: 50 V AC DC
- 4 Rated current: 0.5A AC DC
- 5 Withstand Voltage: 500V AC/minute
- 6 Temperature Range: $-25^{\circ}C \sim +85^{\circ}C$

ORDER INFORMATION:

F0526AWR-51-F2ME-R		
PART No.:		PACKAGING:
No. OF CIRCUITS:		R=REEL
51		PLATING:
PLASTIC MATERIAL:		E=Contacts:Gold
F2M=LCP (Locker:LCP)		Solder tab:Tin



专利产品

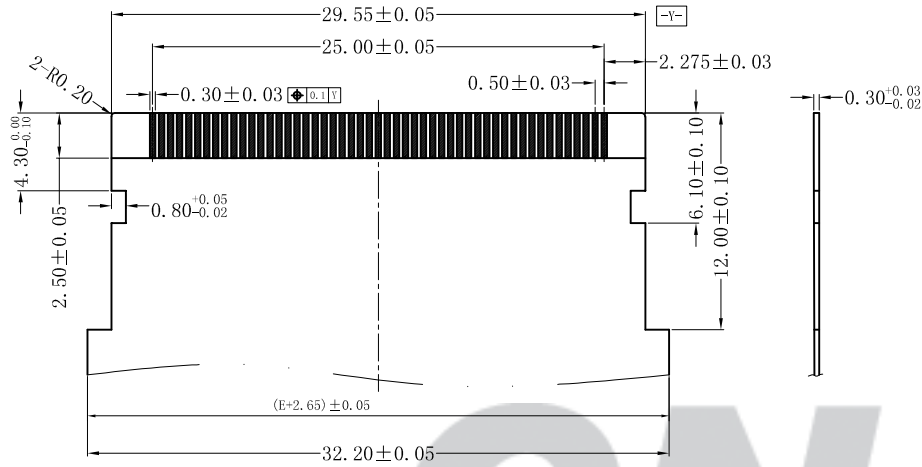
C/O	DATE	DESCRIPTION	APPD.	NO.	DESCRIPTION	QTY	MATERIAL	PLATING/COLOR
B/O	2022. 11. 03	更新模板	李浩然	④	Locker	1	LCP (UL94V-0)	Black
	2020. 11. 17	NEW RELEASE		③	Solder Tab	2	Phosphor Bronze	Matte Sn
REV.				②	Contacts	51	Phosphor Bronze	Gold
				①	Insulator	1	LCP (UL94V-0)	Nature

Tolerance	X.X ±0.30
	X.XX ±0.20
	X.XXX ±0.10
Angle	±3.0°
UNIT:	mm

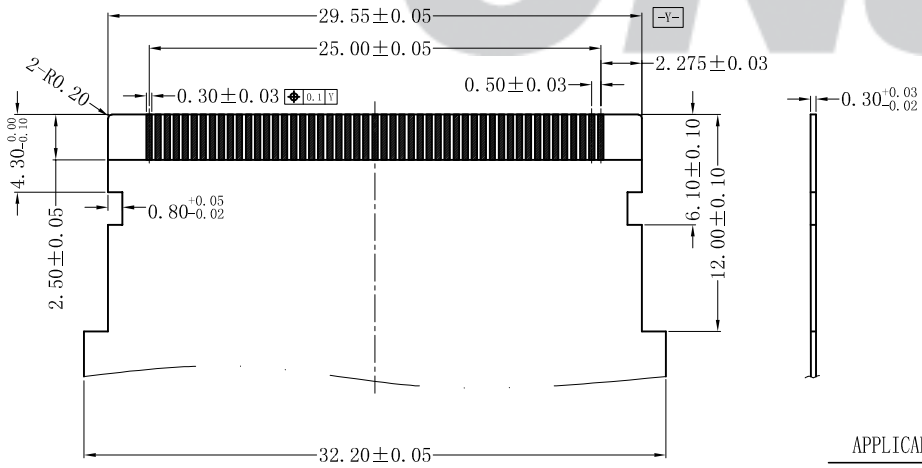
CNJST 捷仕泰企业		
Model No.: F0526AWR-51-F2ME-R		
Model Name: 0.50mm SMT FFC/FPC Connectors		
	SCALE: FULL	REVISION: C/0

Drawn: 李浩然 2022. 11. 03
Checked: 吴丹平
Approved: 林旭芝
DWG NO.: CNJST/GCCP-0737

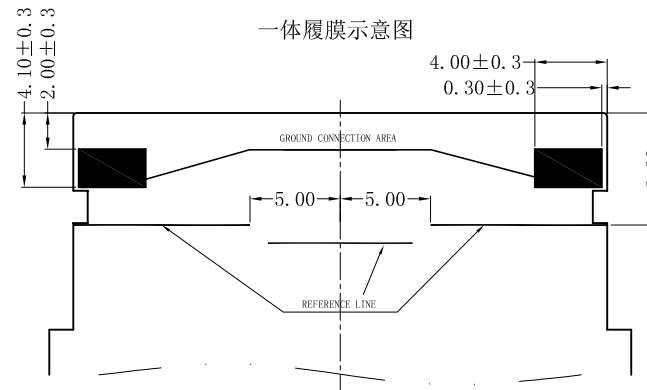
RoHS Compliant



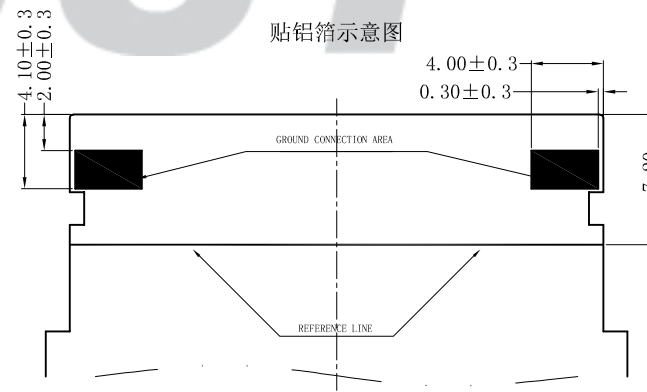
APPLICABLE FPC/FFC 1



APPLICABLE FPC/FFC 2



一体覆膜示意图



贴铝箔示意图

C/0	2022. 11. 03	更新模板	李浩然
B/0	2020. 11. 17	NEW RELEASE	
REV.	DATE	DESCRIPTION	APPD.

CNJST 捷仕泰企业		Drawn: 李浩然 2022. 11. 03
Model No. : F0526AWR-51-F2ME-R		Checked: 吴丹平
Model Name: 0.50mm SMT FFC/FPC Connectors		Approved: 林旭芝
	SCALE: FULL	REVISION: C/0
		DWG NO. : CNJST/GCCP-0737

专利产品