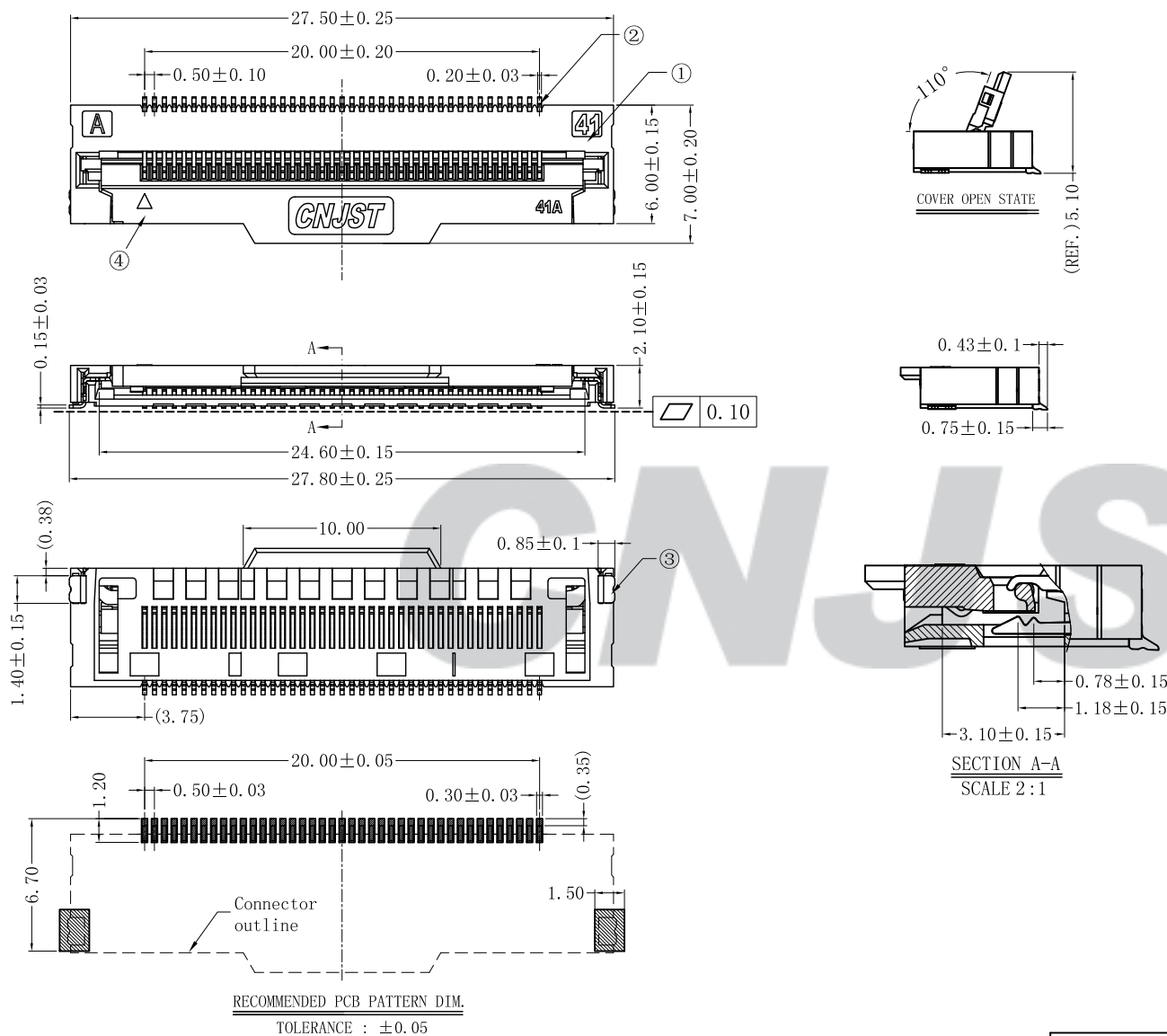


RoHS Compliant

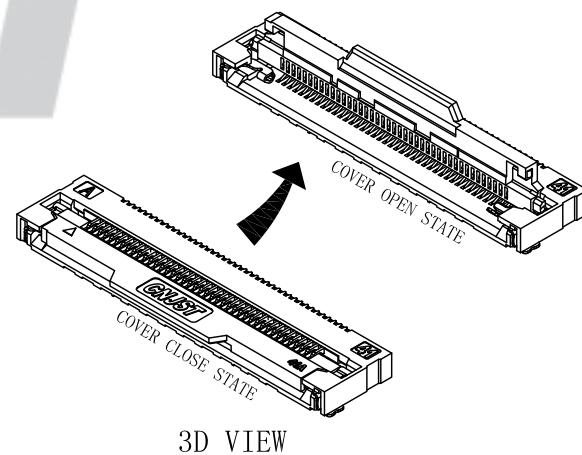


SPECIFICATION

- 1 Contact resistance: $\leq 30m\Omega$
- 2 Insulation resistance: $\geq 100M\Omega$
- 3 Rated voltage: 50 V AC DC
- 4 Rated current: 0.5A AC DC
- 5 Withstand Voltage: 500V AC/minute
- 6 Temperature Range: $-25^{\circ}C \sim +85^{\circ}C$

ORDER INFORMATION:

F0521AWR-41-F2ME-R			
PART No.:		PACKAGING:	
No. OF CIRCUITS:	41	R=REEL	
PLASTIC MATERIAL:	F2M=LCP (Nature)	PLATING:	
		E=Contacts:Gold	
		Solder tab: Tin	



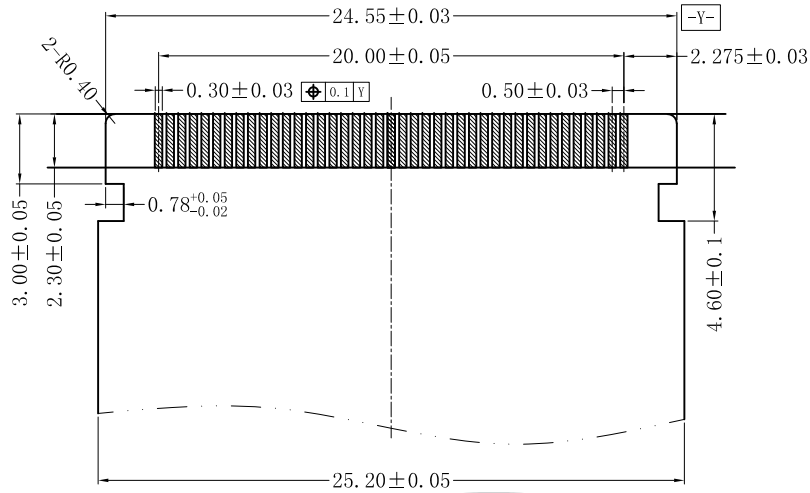
3D VIEW

专利产品

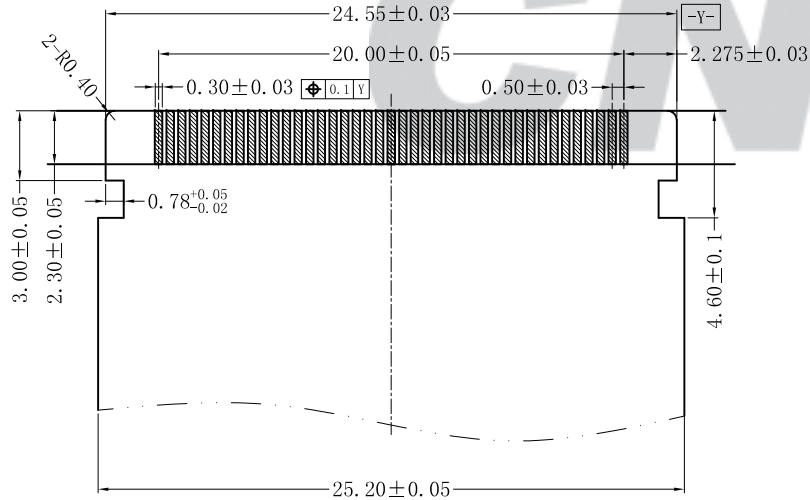
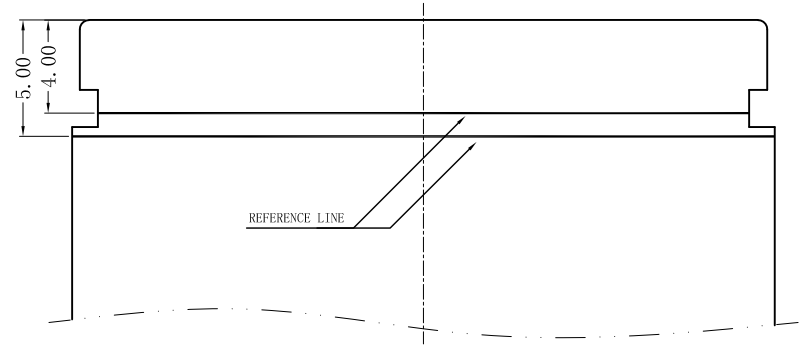
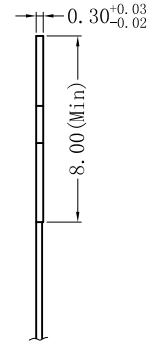
REV.	DATE	DESCRIPTION	APPD.	NO.	DESCRIPTION	QTY	MATERIAL	PLATING/COLOR
C/0	2023.07.17	NEW RELEASE	王丽君	④	Locker	1	LCP (UL94V-0)	Black
				③	Solder Tab	2	Phosphor Bronze	Matte Sn
				②	Contacts	41	Phosphor Bronze	Gold
				①	Insulator	1	LCP (UL94V-0)	Nature (Beige)

Tolerance	CNJST 捷仕泰企业		Drawn: 王丽君 2023.07.17
X.X ±0.30	Model No. : F0521AWR-41-F2ME-R	Checked: 吴丹平	
X.XX ±0.20	Model Name: 0.50mm pitch SMT FFC/FPC CONNECTORS	Approved: 林旭芝	
X.XXX ±0.10	UNIT: mm	SCALE: FULL	REVISION: C/0
Angle ±3.0°	DWG NO. : CNJST/GCCP-0669		

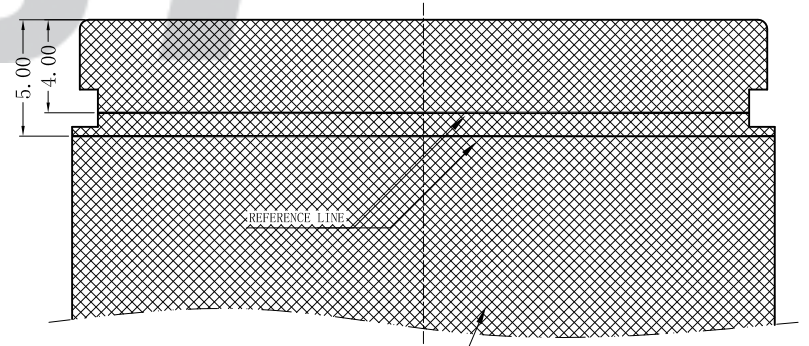
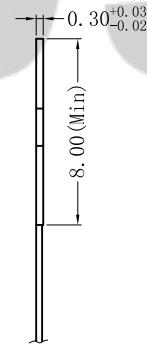
RoHS Compliant



APPLICABLE FPC/FFC
蓝白裸线 (不接地)



APPLICABLE FPC/FFC
一体补强板铝箔FFC线



一体补强板铝箔FFC线

C/O	2023.07.17	NEW RELEASE	王丽君
REV.	DATE	DESCRIPTION	APPD.

Tolerance X.X ±0.30 X.XX ±0.20 X.XXX ±0.10 Angle ±3.0°	CNJST 捷仕泰企业		Drawn: 王丽君 2023.07.17
	Model No.: F0521AWR-41-F2ME-R		Checked: 吴丹平
UNIT: mm	Model Name: 0.50mm pitch SMT FFC/FPC CONNECTORS		Approved: 林旭芝
	SCALE: FULL	REVISION: C/0	DWG NO.: CNJST/GCCP-0669