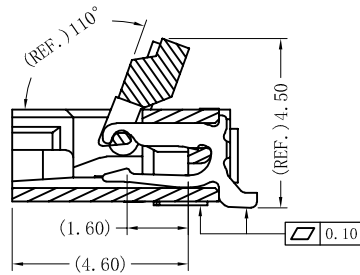
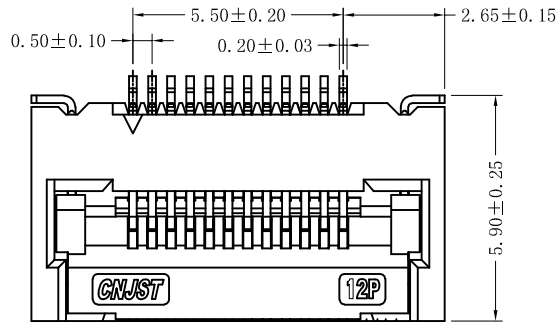
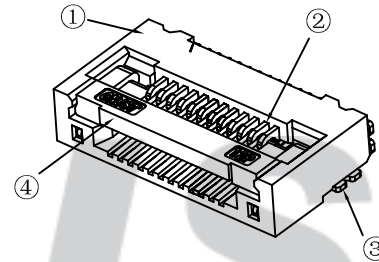
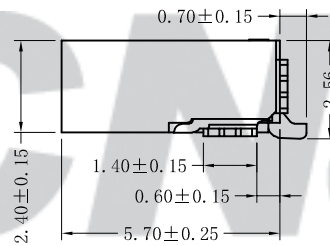
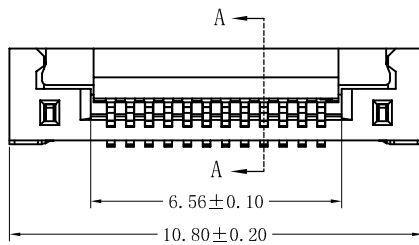


RoHS Compliant



SECTION A-A



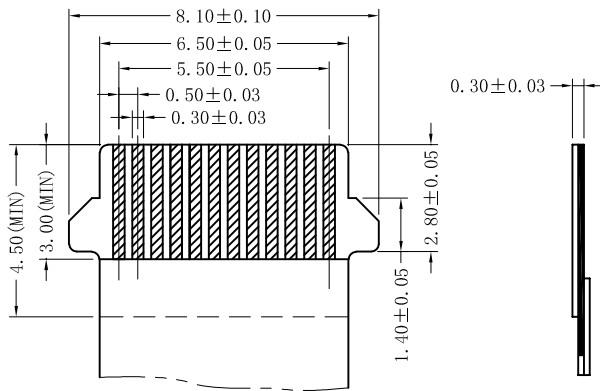
SPECIFICATION

- 1 Contact resistance: $\leq 30m\Omega$
- 2 Insulation resistance: $\geq 500M\Omega$
- 3 Rated voltage: 50 V AC DC
- 4 Rated current: 0.5 A AC DC
- 5 Withstand Voltage: 500V AC/minute
- 6 Temperature Range: $-25^{\circ}C \sim +85^{\circ}C$

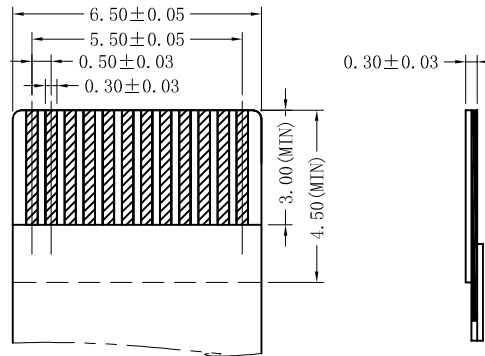
ORDER INFORMATION:

F0519AWR-12-F2ME-R

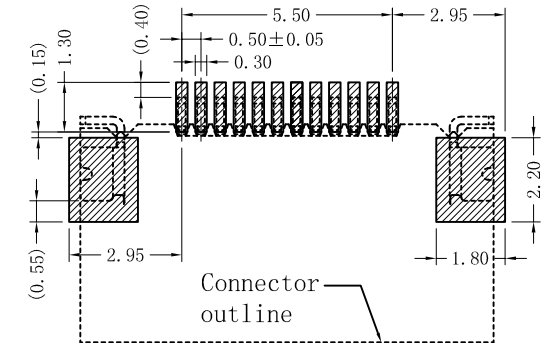
Part No.:		PACKAGING:	R=Reel
No. of Circuits:	12	PLATING:	E=Contacts:Gold Solder tab:Matn Sn
PLASTIC MATERIAL:	F2M=LCP (Locker:LCP)		



Accommodated FFC 1
(COMPONENT SIDE)



Accommodated FFC 2
(COMPONENT SIDE)



SUGGESTED PCB LAYOUT
(COMPONENT SIDE)

专利产品

C/O	2022. 10. 28	更新模板	李浩然
B/O	202012. 31	NEW RELEASE	
REV.	DATE	DESCRIPTION	APPD.

④	Locker	1	LCP(UL94V-0)	Nature
③	Solder Tab	2	Phosphor Bronze	Matte Sn
②	Contacts	12	Phosphor Bronze	Gold-plated
①	Insulator	1	LCP(UL94V-0)	Nature
NO.	DESCRIPTION	QTY	MATERIAL	PLATING/COLOR

Tolerance	X.X ±0.30
	X.XX ±0.20
	X.XXX ±0.10
Angle	±3.0°
UNIT:	mm

CNJST 捷仕泰企业	
Model No. :F0519AWR-12-F2ME-R	
Model Name:0.50mm pitch SMT FFC/FPC CONNECTORS	
	SCALE:FULL
	REVISION:C/0

Drawn:李浩然2022. 10. 28
Checked: 吴丹平
Approved: 林旭芝
DWG NO. :CNJST/GCCP-0612