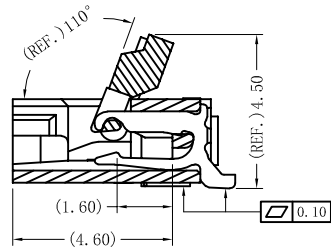
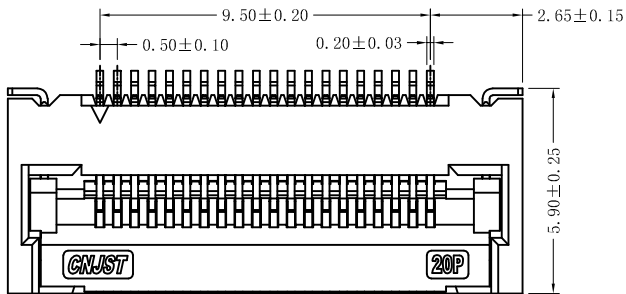
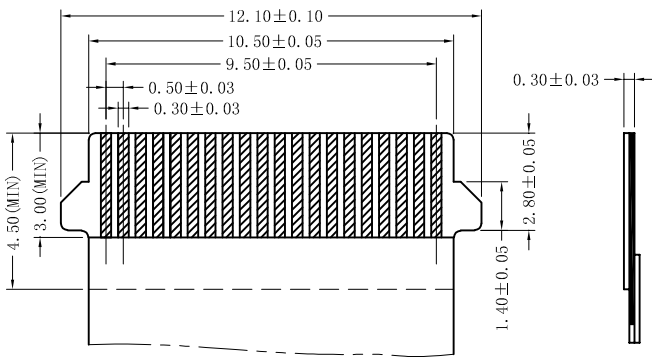
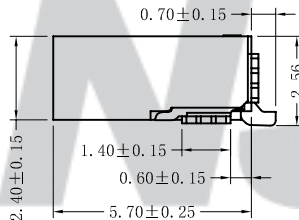
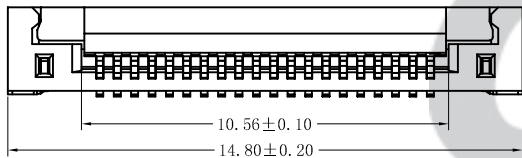
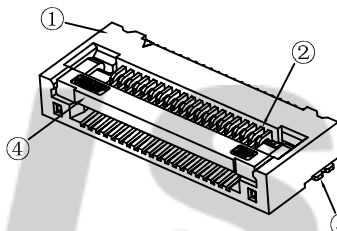


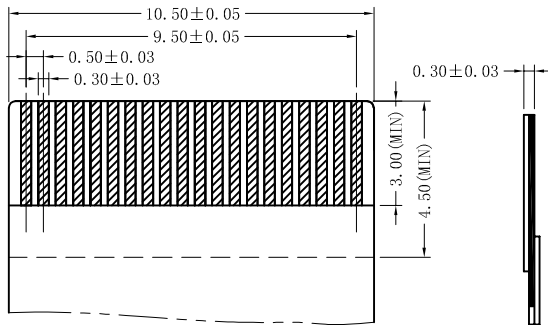
RoHS Compliant



SECTION A-A



Accommodated FFC 1
(COMPONENT SIDE)



Accommodated FFC 2
(COMPONENT SIDE)

SPECIFICATION

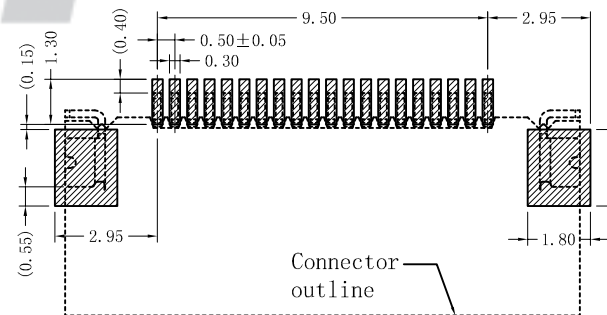
- 1 Contact resistance: $\leq 30m\Omega$
- 2 Insulation resistance: $\geq 500M\Omega$
- 3 Rated voltage: 50 V AC DC
- 4 Rated current: 0.5 A AC DC
- 5 Withstand Voltage: 500V AC/minute
- 6 Temperature Range: $-25^{\circ}C \sim +85^{\circ}C$

ORDER INFORMATION:

F0519AWR-20-F2ME-R

Part No. _____
 No. of Circuits: _____
 20
 PLASTIC MATERIAL: _____
 F2M=LCP (Locker:LCP)

PACKAGING:
 R=Reel
 PLATING:
 E=Contacts:Gold
 Solder tab:Mattn Sn



SUGGESTED PCB LAYOUT
(COMPONENT SIDE)

专利产品

C/O	2022. 10. 28	更新模板	李浩然
B/O	2021. 06. 16	NEW RELEASE	
REV.	DATE	DESCRIPTION	APPD.

NO.	DESCRIPTION	QTY	MATERIAL	PLATING/COLOR
④	Locker	1	LCP (UL94V-0)	Nature
③	Solder Tab	2	Phosphor Bronze	Matte Sn
②	Contacts	20	Phosphor Bronze	Gold-plated
①	Insulator	1	LCP (UL94V-0)	Nature

Tolerance	X.X ±0.30
	X.XX ±0.20
	X.XXX ±0.10
Angle	±3.0°
UNIT:	mm

CNJST 捷仕泰企业

Model No.: F0519AWR-20-F2ME-R

Model Name: 0.50mm pitch SMT FFC/FPC CONNECTORS

SCALE: FULL

REVISION: C/0

Drawn: 李浩然 2022. 10. 28
Checked: 吴丹平
Approved: 林旭芝
DWG NO.: CNJST/GCCP-0612