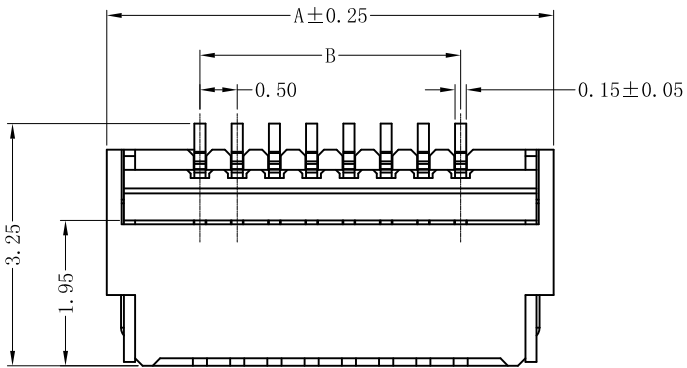


RoHS Compliant



50	27.00	24.50	25.57	26.39	26.10	26.90	25.50
40	22.00	19.50	20.57	21.39	21.10	21.90	20.50
34	19.00	16.50	17.57	18.39	18.10	18.90	17.50
32	18.00	15.50	16.57	17.39	17.10	17.90	16.50
30	17.00	14.50	15.57	16.39	16.10	16.90	15.50
26	15.00	12.50	13.57	14.39	14.10	14.90	13.50
24	14.00	11.50	12.57	13.39	13.10	13.90	12.50
23	13.50	11.00	12.07	12.89	12.60	13.40	12.00
22	13.00	10.50	11.57	12.39	12.10	12.90	11.50
20	12.00	9.50	10.57	11.39	11.10	11.90	10.50
18	11.00	8.50	9.57	10.39	10.10	10.90	9.50
16	10.00	7.50	8.57	9.39	9.10	9.90	8.50
14	9.00	6.50	7.57	8.39	8.10	8.90	7.50
12	8.00	5.50	6.57	7.39	7.10	7.90	6.50
11	7.50	5.00	6.07	6.89	6.60	7.40	6.00
10	7.00	4.50	5.57	6.39	6.10	6.90	5.50
8	6.00	3.50	4.57	5.39	5.10	5.90	4.50
7	5.50	3.00	4.07	4.89	4.60	5.40	4.00
6	5.00	2.50	3.57	4.39	4.10	4.90	3.50
4	4.00	1.50	2.57	3.39	3.10	3.90	2.50
Number of Contacts	DIM A	DIM B	DIM C	DIM D	DIM E	DIM F	DIM G

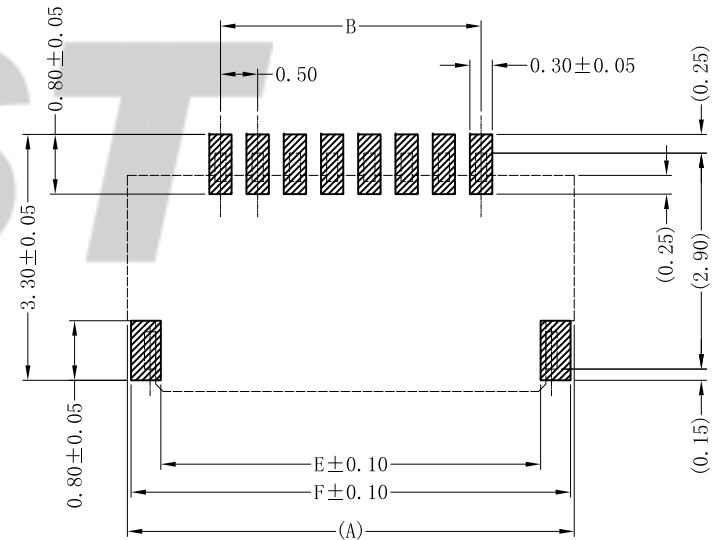
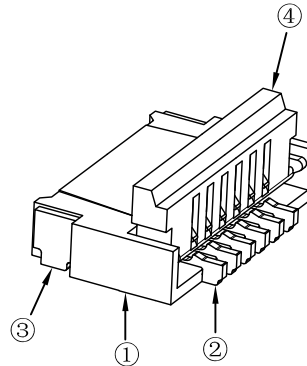
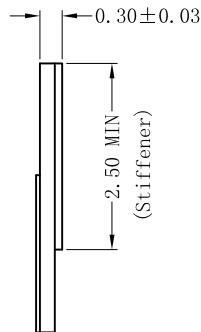
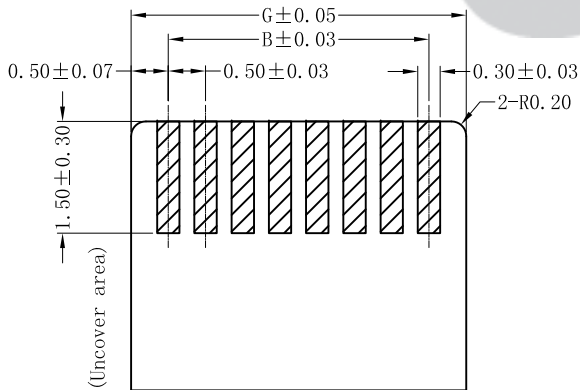
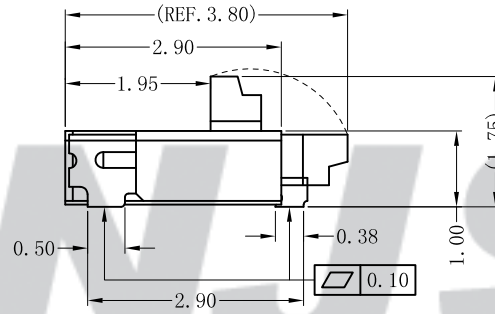
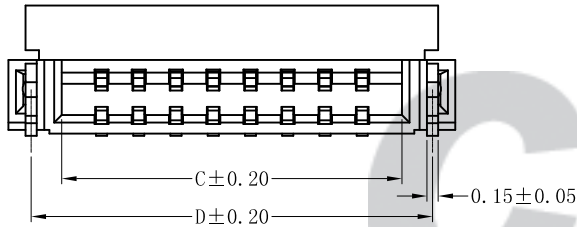
SPECIFICATION

- 1 Contact resistance: $\leq 30m\Omega$
- 2 Insulation resistance: $\geq 500M\Omega$
- 3 Rated voltage: 50 V AC DC
- 4 Rated current: 0.5 A AC DC
- 5 Withstand Voltage: 250V AC/minute
- 6 Temperature Range: $-25^{\circ}C \sim +85^{\circ}C$

ORDER INFORMATION:

F0515AWR--F2MC-R**

PART No.:	PACKAGING:
No. OF CIRCUITS:	G=TUBE
04~50	R=REEL
PLASTIC MATERIAL:	PLATING:
F2M=LCP (Locker:LCP)	A=Tin-Plated
	C=Gold-Plated



Recommended PCB Layout (Top View)

Recommended metal mask pattern (thickness 0.1mm)

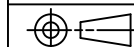
Recomenend FPC Dim.

④	Locker	1	LCP (UL94V-0)	Nature (Black)
③	Solder Tab	2	Phosphor Bronze	Matte Sn
②	Contacts	4~50	Phosphor Bronze	Gold-plated
①	Insulator	1	LCP (UL94V-0)	Nature (Beige)
NO.	DESCRIPTION	QTY	MATERIAL	PLATING/COLOR

Tolerance
X.X ± 0.30
X.XX ± 0.20
X.XXX ± 0.10
Angle ± 3.0°
UNIT: mm

CNJST 捷仕泰企业

Model No.: F0515AWR-**-F2MC-R
Model Name: 0.50mm pitch SMT FFC/FPC Connectors



SCALE: FULL

REVISION: C/0

Drawn: 李浩然 2022.10.28

Checked: 吴丹平

Approved: 林旭芝

DWG NO.: CNJST/GCCP-0419

C/1	2023.04.25	更新排线规格	李浩然
C/0	2022.10.28	更新模板	李浩然
B/0	2021.06.16	NEW RELEASE	
REV.	DATE	DESCRIPTION	APPD.