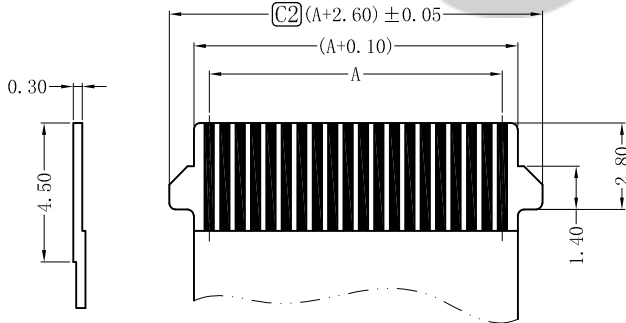
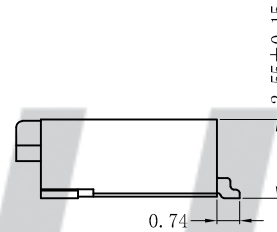
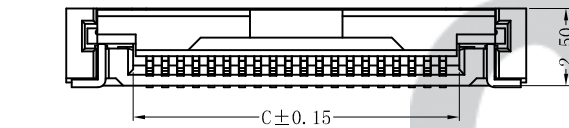
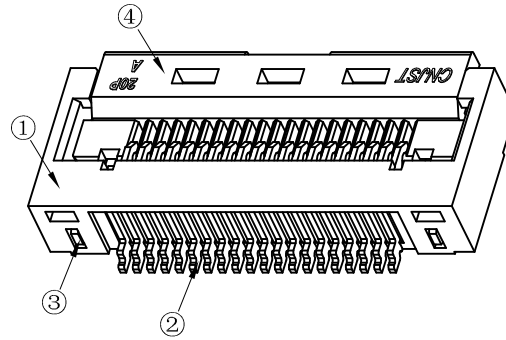
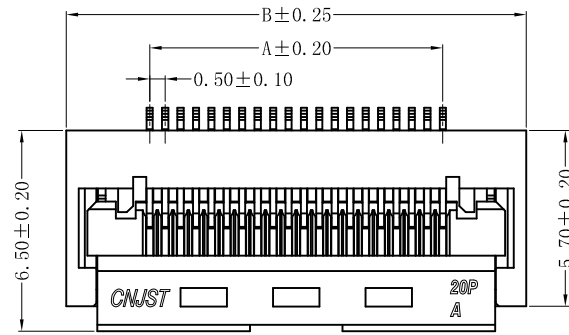
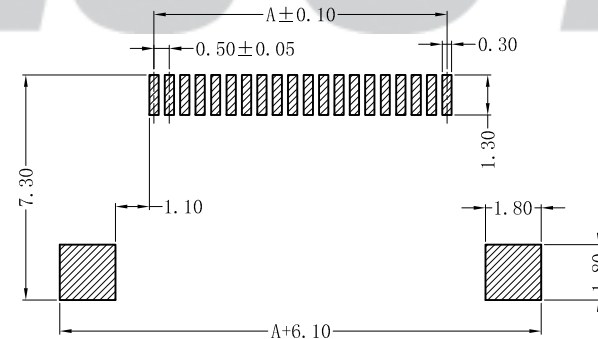


RoHS Compliant



Accommodated FFC
(COMPONENT SIDE)



SUGGESTED PCB LAYOUT
(COMPONENT SIDE)

SPECIFICATION

- Contact resistance: $\leq 50m\Omega$
- Insulation resistance: $\geq 500M\Omega$
- Rated voltage: 50 V AC DC
- Rated current: 0.5 A AC DC
- Withstand Voltage: 250V AC/minute
- Temperature Range: $-25^{\circ}C \sim +85^{\circ}C$

ORDER INFORMATION:

F0513AWR--F2KE-R**

| | | |
|--------------------------------------|--|---|
| Part No. | | PACKAGING: R=Reel |
| No. of Circuits: 08~68 | | PLATING: A=Tin B=Matte Sn C=Gold-plated E=Contacts:Gold Solder tab:Tin |
| PLASTIC MATERIAL: F2K=LCP (Black) | | |

| Circuits | Dimensions | | |
|----------|------------|-------|-------|
| | A | B | C[C2] |
| 08 | 3.50 | 8.92 | 4.58 |
| 10 | 4.50 | 9.92 | 5.58 |
| 20 | 9.50 | 14.92 | 10.58 |
| 24 | 11.50 | 16.92 | 12.58 |
| 25 | 12.00 | 17.42 | 13.08 |
| 30 | 14.50 | 19.92 | 15.58 |
| 40 | 19.50 | 24.92 | 20.58 |
| 50 | 24.50 | 29.92 | 25.58 |
| 60 | 29.50 | 34.92 | 30.58 |
| [C1] 68 | 33.50 | 38.92 | 34.58 |

专利产品

| REV. | DATE | DESCRIPTION | APPD. | NO. | DESCRIPTION | QTY | MATERIAL | PLATING/COLOR |
|------|------------|--------------|-------|-----|-------------|------|-------------------|---------------|
| C/2 | 2023.09.14 | 更正尺寸; 统一五金描述 | 王丽君 | ④ | Locker | 1 | LCP (UL94V-0) | Black |
| C/1 | 2023.08.25 | 增加68PIN位信息 | 王丽君 | ③ | Solder Tab | 2 | Copper Alloy [C2] | Matte Sn |
| C/0 | 2023.03.24 | 更新模板 | 王丽君 | ② | Contacts | 8~68 | Copper Alloy [C2] | Gold-plated |
| | | | | ① | Insulator | 1 | LCP (UL94V-0) | Black |

| | |
|-----------|-------------|
| Tolerance | X.X ±0.30 |
| | X.XX ±0.20 |
| | X.XXX ±0.10 |
| | Angle ±3.0° |
| UNIT: mm | |

CNJST 捷仕泰企业

Model No.: F0513AWR-**-F2KE-R

Model Name: 0.50mm pitch SMT LIF FFC/FPC CONNECTORS

| |
|-------------------------|
| Drawn: 王丽君 2023.09.14 |
| Checked: 吴丹平 |
| Approved: 林旭芝 |
| DWG NO. CNJST/GCCP-0384 |