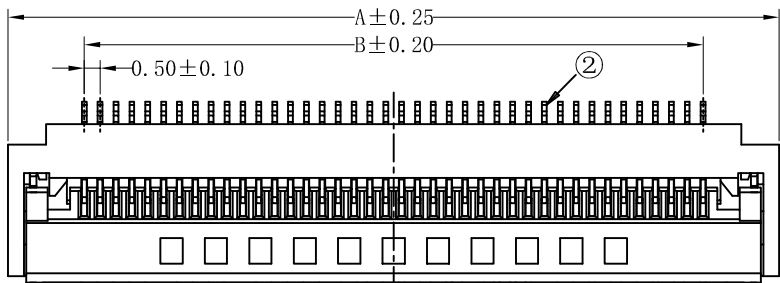


RoHS Compliant



No. of Contacts	DIM.			
	A	B	C	D
08	8.30	3.50	4.60	6.72
10	9.30	4.50	5.60	7.72
12	10.30	5.50	6.60	8.72
15	11.80	7.00	8.10	10.22
16	12.30	7.50	8.60	10.72
18	13.30	8.50	9.60	11.72
30	19.30	14.50	15.60	17.72
40	24.30	19.50	20.60	22.72

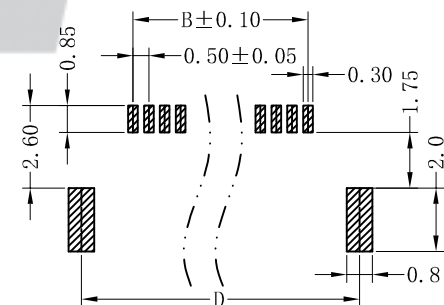
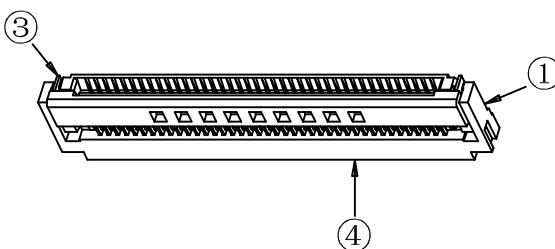
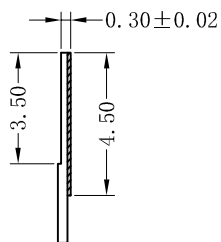
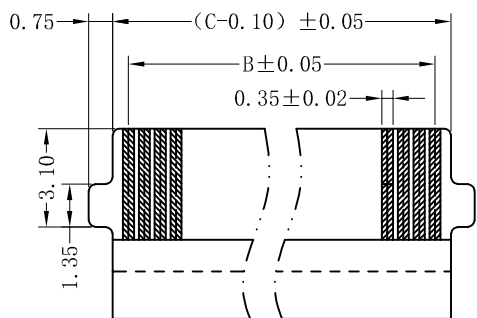
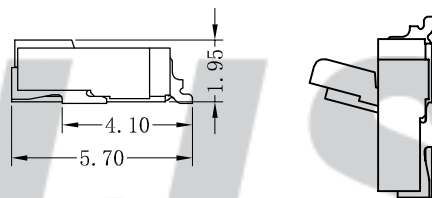
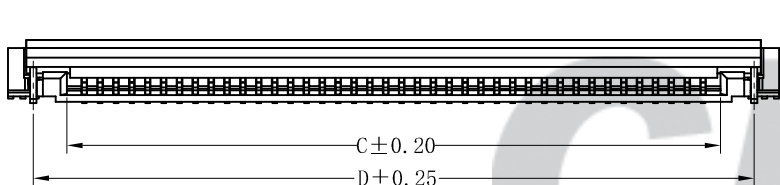
SPECIFICATION

- Contact resistance:  $\leq 30m\Omega$
- Insulation resistance:  $\geq 50M\Omega$
- Rated voltage: 50 V AC DC
- Rated current: 0.5 A AC DC
- Withstand Voltage: 150V AC/minute
- Temperature Range:  $-25^{\circ}C \sim +85^{\circ}C$

ORDER INFORMATION:

**F0510AWR-\*\*-F2KC-R**

Part No.		PACKAGING:
No. of Circuits:		R=Reel
08~40		PLATING:
PLASTIC MATERIAL:		A=Tin
F2K=LCP (Black)		B=Matte Sn
		C=Gold-plated

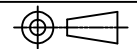


SUGGESTED PCB LAYOUT  
(COMPONENT SIDE)

RECOMMENDED FPC DIMENSION  
(COMPONENT SIDE)

专利产品

REV.	DATE	DESCRIPTION	APPD.	NO.	DESCRIPTION	QTY	MATERIAL	PLATING/COLOR	Tolerance	<b>CNJST 捷仕泰企业</b> Model No.: F0510AWR-**-F2KC-R Model Name: 0.50mm pitch SMT FFC/FPC CONNECTORS	Drawn: 黄美程 2023.08.22 Checked: 吴丹平 Approved: 林旭芝
C/1	2023.08.22	根据新模调整视图	黄美程	④	Locker	1	LCP(UL94-0)	Black	X.X ± 0.30		
C/0	2022.12.23	更新模板	李浩然	③	Solder Tab	2	Copper Alloy	Matte Sn	X.XX ± 0.20		
				②	Contacts	8~40	Copper Alloy	Gold-plated	X.XXX ± 0.10		
				①	Insulator	1	LCP(UL94V-0)	Black	Angle ± 3.0°		
									UNIT: mm		



SCALE: FULL

REVISION: C/1

DWG NO.: CNJST/GCCP-0358