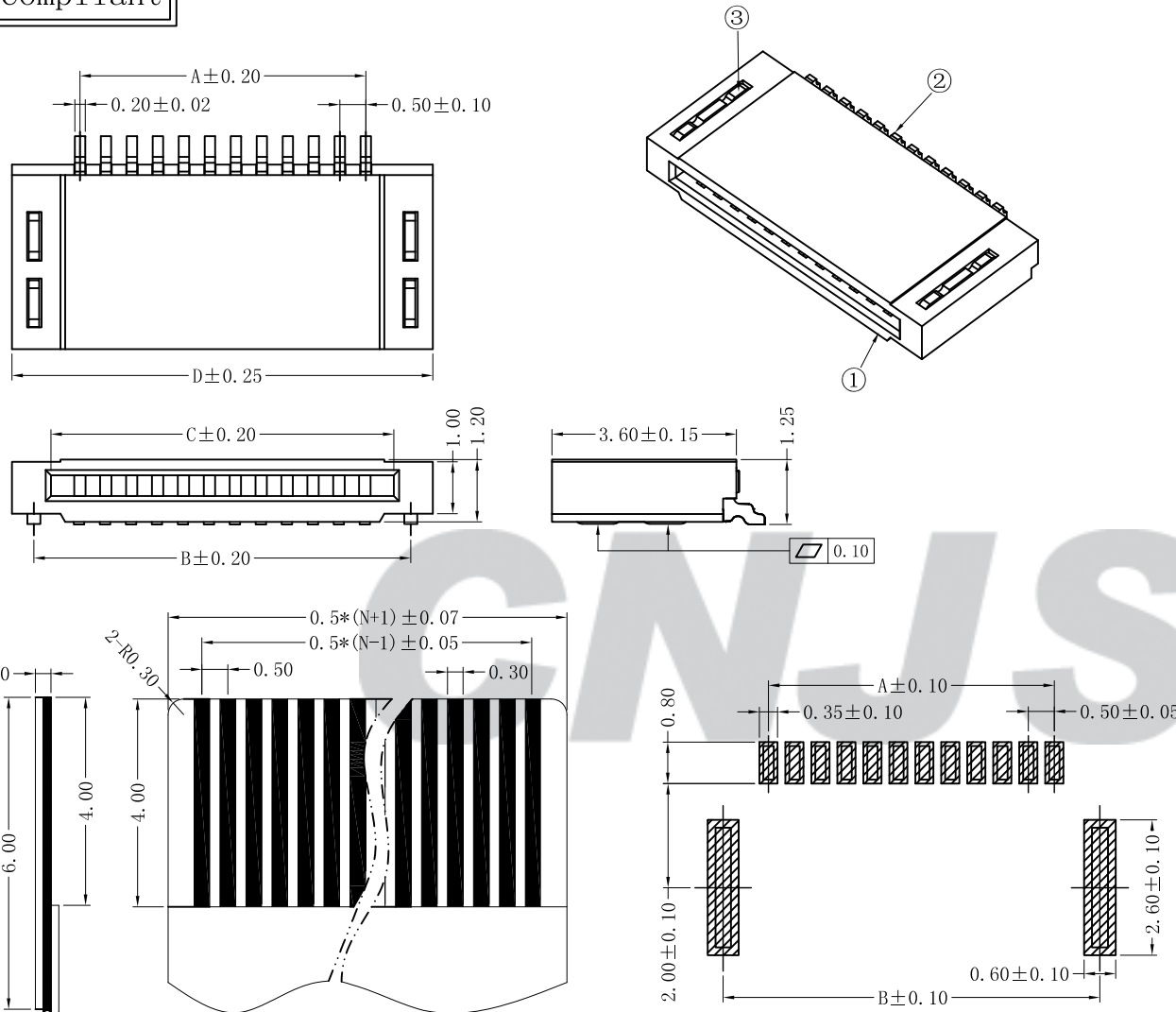


RoHS Compliant



Accommodated FFC/FPC  
(COMPONENT SIDE)

SUGGESTED PCB LAYOUT  
(COMPONENT SIDE)

SPECIFICATION

- 1 Contact resistance:  $\leq 40m\Omega$
- 2 Insulation resistance:  $\geq 800M\Omega$
- 3 Rated voltage: 50 V AC DC
- 4 Rated current: 0.5 A AC DC
- 5 Withstand Voltage: 200V AC/minute
- 6 Temperature Range:  $-25^{\circ}C \sim +85^{\circ}C$

ORDER INFORMATION:

**F0506AWR-\*\*-F2MB-R**

Part No. \_\_\_\_\_  
 No. of Circuits: \_\_\_\_\_  
 04~45  
 PLASTIC MATERIAL: \_\_\_\_\_  
 F2M=LCP(Nature)

PACKAGING:  
 R=Reel  
 PLATING:  
 A=Tin-Plated  
 B=Mattn Sn  
 C=Gold-Plated

Circuits	Dimensions(mm)				Circuits	Dimensions(mm)			
	A	B	C	D		A	B	C	D
04	1.50	3.25	2.60	4.10	25	12.00	13.75	13.10	14.60
05	2.00	3.75	3.10	4.60	26	12.50	14.25	13.60	15.10
06	2.50	4.25	3.60	5.10	27	13.00	14.75	14.10	15.60
07	3.00	4.75	4.10	5.60	28	13.50	15.25	14.60	16.10
08	3.50	5.25	4.60	6.10	29	14.00	15.75	15.10	16.60
09	4.00	5.75	5.10	6.60	30	14.50	16.25	15.60	17.10
10	4.50	6.25	5.60	7.10	31	15.00	16.75	16.10	17.60
11	5.00	6.75	6.10	7.60	32	15.50	17.25	16.60	18.10
12	5.50	7.25	6.60	8.10	33	16.00	17.75	17.10	18.60
13	6.00	7.75	7.10	8.60	34	16.50	18.25	17.60	19.10
14	6.50	8.25	7.60	9.10	35	17.00	18.75	18.10	19.60
15	7.00	8.75	8.10	9.60	36	17.50	19.25	18.60	20.10
16	7.50	9.25	8.60	10.10	37	18.00	19.75	19.10	20.60
17	8.00	9.75	9.10	10.60	38	18.50	20.25	19.60	21.10
18	8.50	10.25	9.60	11.10	39	19.00	20.75	20.10	21.60
19	9.00	10.75	10.10	11.60	40	19.50	21.25	20.60	22.10
20	9.50	11.25	10.60	12.10	41	20.00	21.75	21.10	22.60
21	10.00	11.75	11.10	12.60	42	20.50	22.25	21.60	23.10
22	10.50	12.25	11.60	13.10	43	21.00	22.75	22.10	23.60
23	11.00	12.75	12.10	13.60	44	21.50	23.25	22.60	24.10
24	11.50	13.25	12.60	14.10	45	22.00	23.75	23.10	24.60

专利产品

C/O 2022.10.19 更新模板 李浩然				③ Solder Tab 2 Phosphor Bronze Matte Sn		Tolerance X.X ±0.30 X.XX ±0.20 X.XXX ±0.10 Angle ±3.0°	<b>CNJST 捷仕泰企业</b>		Drawn: 李浩然 2022.10.19	
B/O 2018.05.12 NEW RELEASE				② Contacts 4~45 Phosphor Bronze Matte Sn			Model No.: F0506AWR-**-F2MB-R		Checked: 吴丹平	
REV. DATE DESCRIPTION APPD.				① Insulator 1 LCP(UL94V-0) Nature			Model Name: 0.50mm SMT FFC/FPC Connectors		Approved: 林旭芝	
				NO. DESCRIPTION QTY MATERIAL PLATING/COLOR		UNIT: mm	SCALE: FULL REVISION: C/0		DWG NO. CNJST/GCCP-0232	