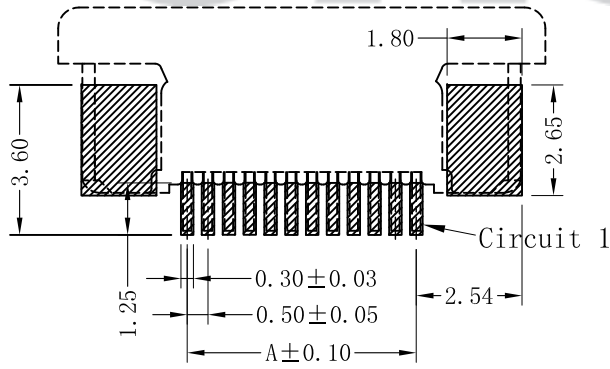
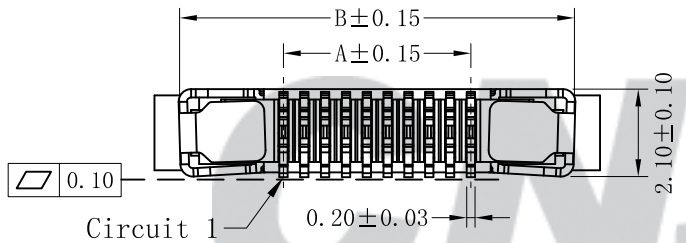
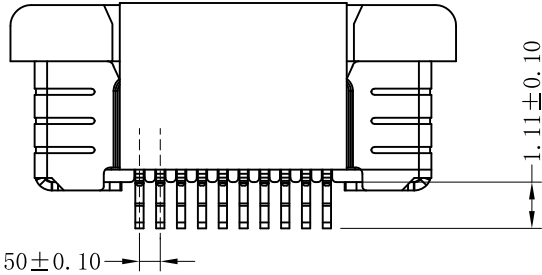
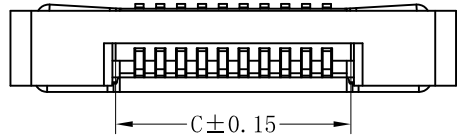
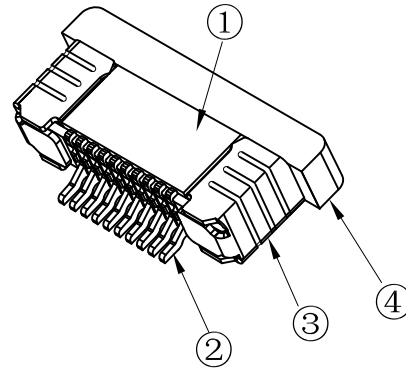


RoHS Compliant

Circuit	A	B	C
4	1.50	6.50	2.66
5	2.00	7.00	3.16
6	2.50	7.50	3.66
7	3.00	8.00	4.16
8	3.50	8.50	4.66
9	4.00	9.00	5.16
10	4.50	9.50	5.66
11	5.00	10.00	6.16
12	5.50	10.50	6.66
13	6.00	11.00	7.16
14	6.50	11.50	7.66
15	7.00	12.00	8.16
16	7.50	12.50	8.66
17	8.00	13.00	9.16
18	8.50	13.50	9.66
19	9.00	14.00	10.16
20	9.50	14.50	10.66
21	10.00	15.00	11.16
22	10.50	15.50	11.66
23	11.00	16.00	12.16
24	11.50	16.50	12.66
25	12.00	17.00	13.16
26	12.50	17.50	13.66
27	13.00	18.00	14.16
28	13.50	18.50	14.66
29	14.00	19.00	15.16
30	14.50	19.50	15.66
31	15.00	20.00	16.16
32	15.50	20.50	16.66
33	16.00	21.00	17.16
34	16.50	21.50	17.66
35	17.00	22.00	18.16
36	17.50	22.50	18.66
37	18.00	23.00	19.16
38	18.50	23.50	19.66
39	19.00	24.00	20.16
40	19.50	24.50	20.66
41	20.00	25.00	21.16
42	20.50	25.50	21.66
43	21.00	26.00	22.16
44	21.50	26.50	22.66
45	22.00	27.00	23.16
46	22.50	27.50	23.66
47	23.00	28.00	24.16
48	23.50	28.50	24.66
49	24.00	29.00	25.16
50	24.50	29.50	25.66
51	25.00	30.00	26.16
52	25.50	30.50	26.66
53	26.00	31.00	27.16
54	26.50	31.50	27.66
55	27.00	32.00	28.16
56	27.50	32.50	28.66
57	28.00	33.00	29.16
58	28.50	33.50	29.66
59	29.00	34.00	30.16
60	29.50	34.50	30.66



SUGGESTED PCB LAYOUT
(COMPONENT SIDE)

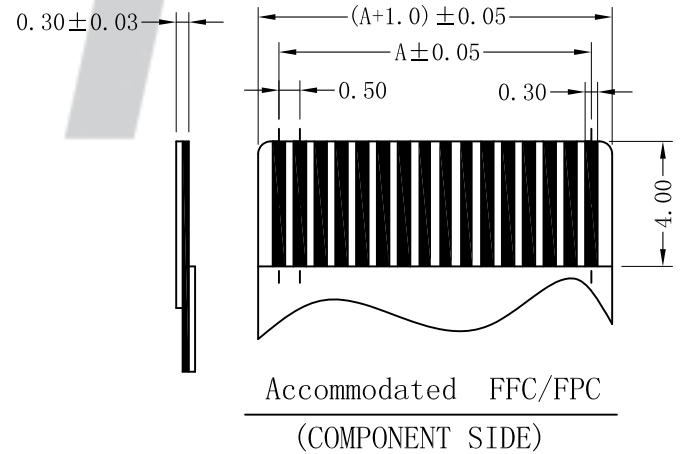


SPECIFICATION

- 1 Contact resistance: $\leq 30m\Omega$
- 2 Insulation resistance: $\geq 50m\Omega$
- 3 Rated voltage: 50 V AC DC
- 4 Rated current: 0.5 A AC DC
- 5 Withstand Voltage: 200V AC/minute
- 6 Temperature Range: $-25^{\circ}C \sim +85^{\circ}C$

ORDER INFORMATION:

F0501AWRX-**-F2MB-R			
Part No.			PACKAGING: R=Reel
No. of Circuits:	04~60		PLATING: B=Matte Sn
PLASTIC MATERIAL: F2M=LCP (Locker:LCP)			



NO.	DESCRIPTION	QTY	MATERIAL	PLATING/COLOR
④	Locker	1	LCP(UL94-0)	Black
③	Solder Tab	2	Phosphor Bronze	Matte Sn
②	Contacts	4~60	Phosphor Bronze	Matte Sn
①	Insulator	1	LCP(UL94V-0)	Nature

Tolerance	X.X ± 0.30
	X.XX ± 0.20
	X.XXX ± 0.10
Angle	± 3.0°
UNIT:	mm

CNJST 捷仕泰企业	
Model No.: F0501AWRX-**-F2MB-R	
Model Name: 0.50mm SMT ZIF Downside FFC/FPC CONNECTORS	
	SCALE: FULL
	REVISION: C/0

Drawn: 李浩然 2022. 12. 28
Checked: 吴丹平
Approved: 林旭芝
DWG NO.: CNJST/GCCP-0002

REV.	DATE	DESCRIPTION	APPD.
C/0	2022. 12. 28	更新模板	李浩然
B/0	2020. 05. 19	NEW RELEASE	