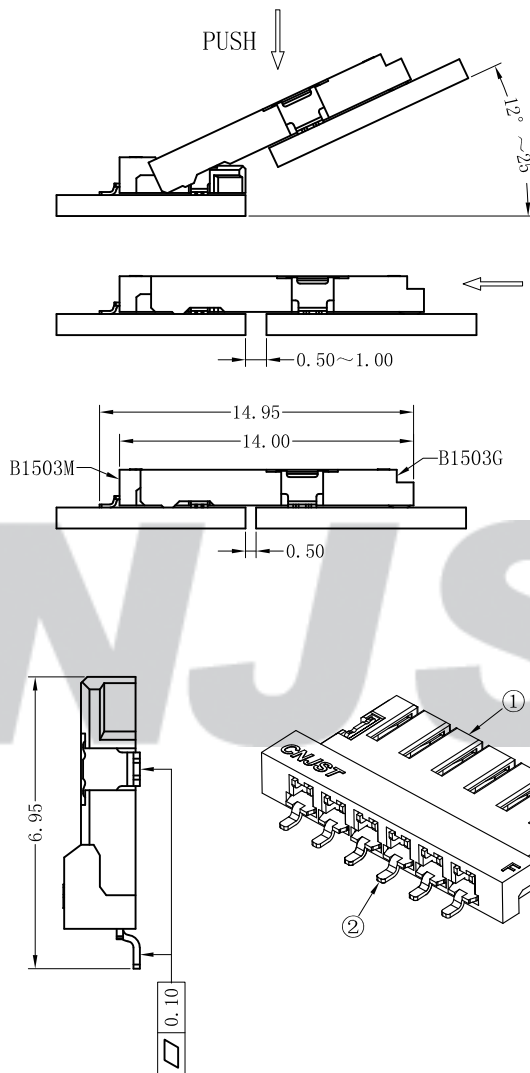
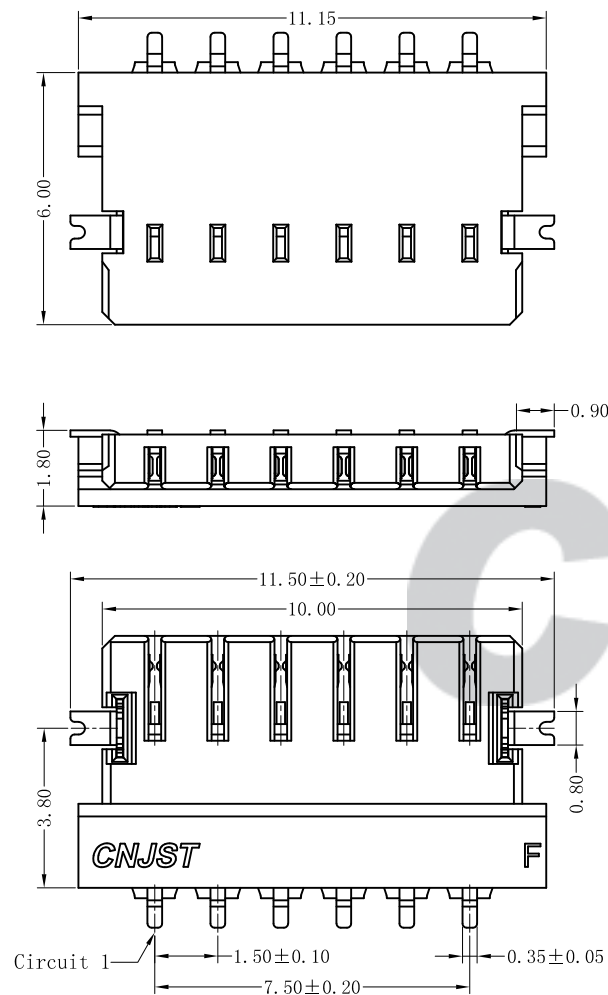


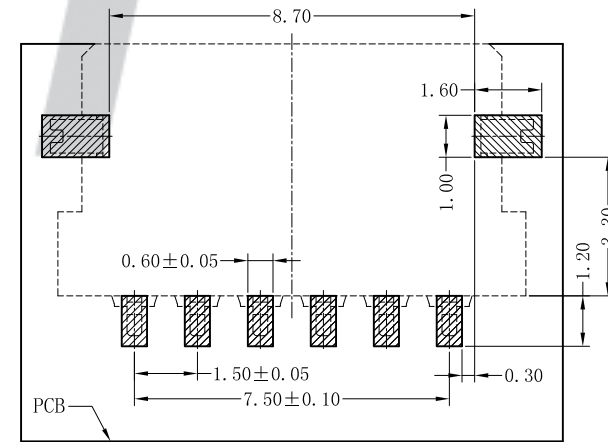
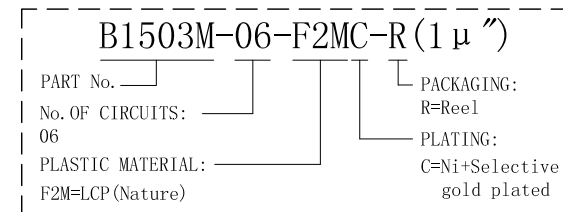
RoHS Compliant



SPECIFICATION

- 1 Contact resistance: $\leq 20m\Omega$
- 2 Insulation resistance: $\geq 100M\Omega$
- 3 Rated voltage: 150 V AC DC
- 4 Rated current: 1.5 A AC DC
- 5 Withstand Voltage: 1000V AC/minute
- 6 Temperature Range: $-25^{\circ}C \sim +85^{\circ}C$

ORDER INFORMATION:



SUGGESTED PCB LAYOUT
(COMPONENT SIDE)

注：6枚Pin针分两次装配（Pin1.3.5和Pin2.4.6），因此有一定的落差，落差不超过0.15mm。

专利产品

REV.	DATE	DESCRIPTION	APPD.	NO.	DESCRIPTION	QTY	MATERIAL	PLATING/COLOR	UNIT: mm	Model No. : B1503M-06-F2MC-R (1 μ")	Model Name: 1.50mm pitch BTB FEMALE SMT R/A TYPE	Scale: FULL	Revision: C/0
				③	Solder Tab	2	Brass	Matte Sn	Tolerance X.X ±0.30 X.XX ±0.20 X.XXX ±0.10 Angle ±3.0°	CNJST 捷仕泰企业	DWG NO. CNJST/GCCP-0561	SCALE: FULL	REVISION: C/0
				②	Contacts	6	Phosphor Bronze	Ni+Selective gold plated 1 μ"					
				①	Insulator	1	LCP (UL94V-0)	Nature					
C/0	2022.08.10	NEW RELEASE											

Drawn: 王程伟 2022.08.10

Checked: 吴丹平

Approved: 林旭芝