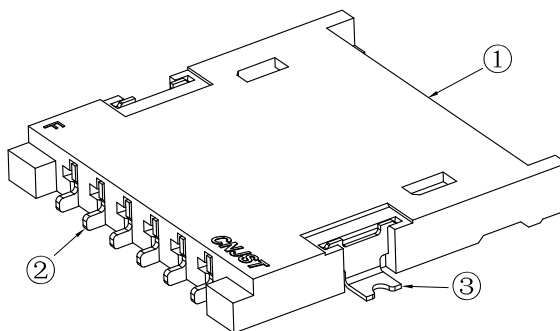
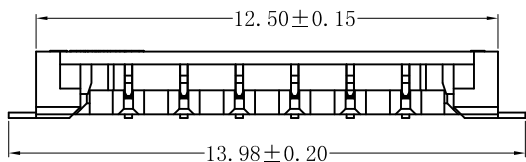


RoHS Compliant

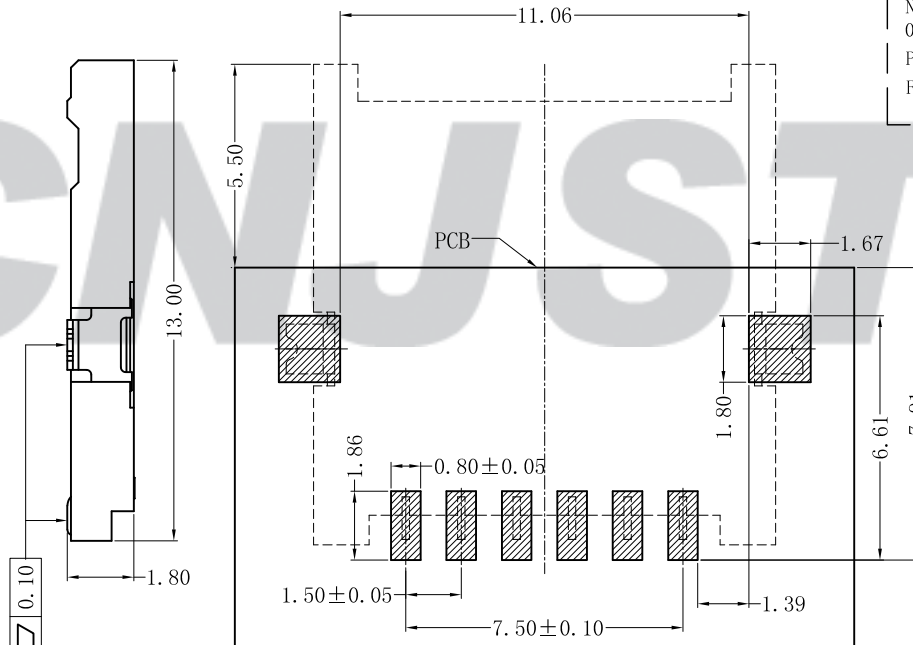
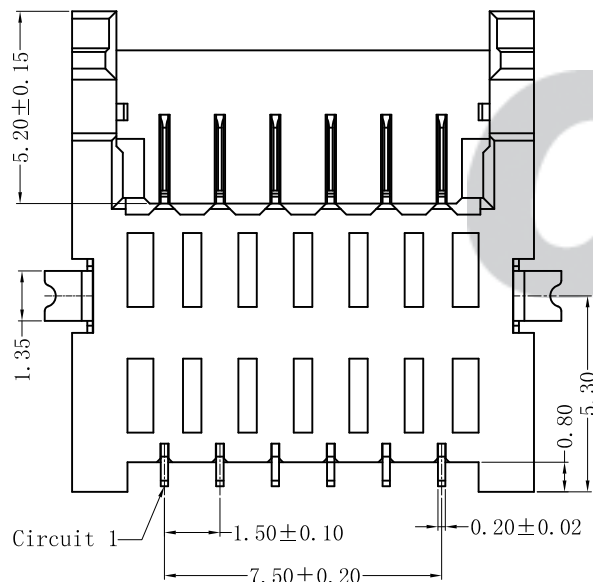


SPECIFICATION

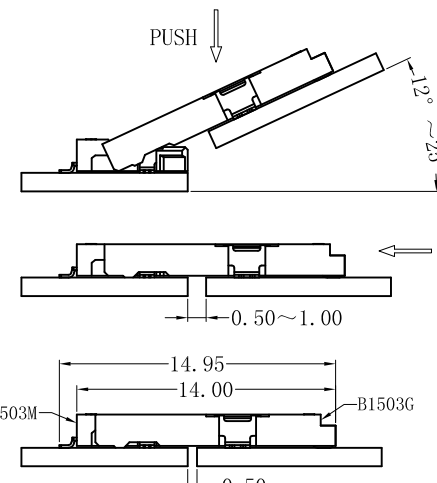
- 1 Contact resistance: $\leq 20m\Omega$
- 2 Insulation resistance: $\geq 100M\Omega$
- 3 Rated voltage: 150 V AC DC
- 4 Rated current: 1.5 A AC DC
- 5 Withstand Voltage: 1000V AC/minute
- 6 Temperature Range: $-25^{\circ}C \sim +85^{\circ}C$

ORDER INFORMATION:

B1503GX-06-F2MC-R (1 μ")	
PART No. _____	PACKAGING: R=Reel
No. OF CIRCUITS: 06	PLATING: C=Ni+Selective gold plated
PLASTIC MATERIAL: F2M=LCP (Nature)	



SUGGESTED PCB LAYOUT
(COMPONENT SIDE)



MATING VIEW
SCALE 1:2

专利产品

							Tolerance X.X ±0.30 X.XX ±0.20 X.XXX ±0.10 Angle ±3.0°	CNJST 捷仕泰企业		Drawn: 王程伟 2022.08.10	
								Model No.: B1503GX-06-F2MC-R (1 μ")		Checked: 吴丹平	
								Model Name: 1.50mm pitch BTB MALE SMT R/A TYPE		Approved: 林旭芝	
REV.	DATE	DESCRIPTION	APPD.	NO.	DESCRIPTION	QTY	MATERIAL	PLATING/COLOR	UNIT: mm	DWG NO. CNJST/GCCP-0560	
				③	Solder Tab	2	Brass	Matte Sn			
				②	Contacts	6	Phosphor Bronze	Ni+Selective gold plated 1 μ"			
				①	Insulator	1	LCP (UL94V-0)	Nature			