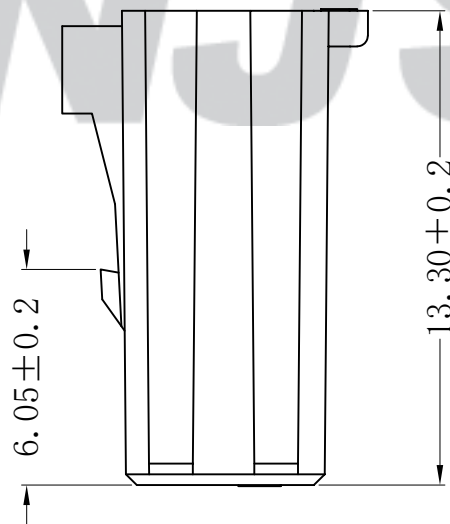
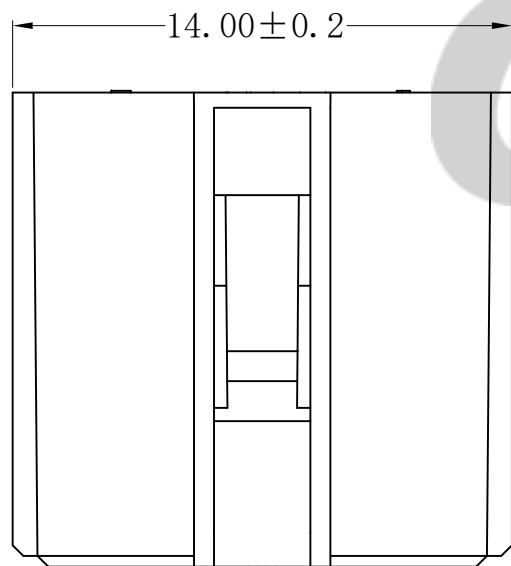
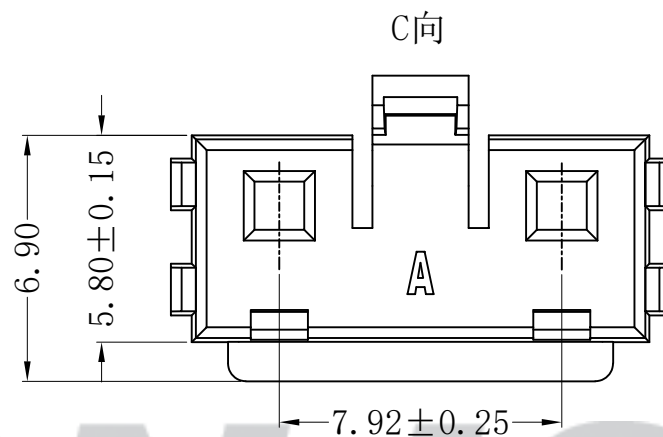
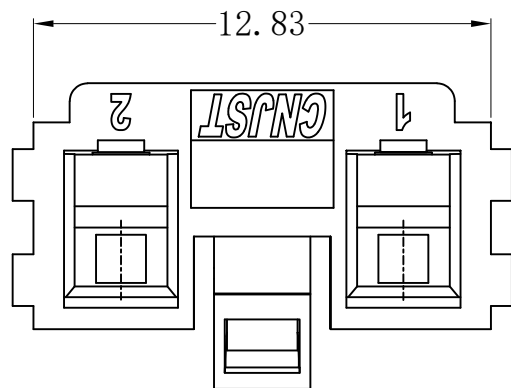


RoHS Compliant

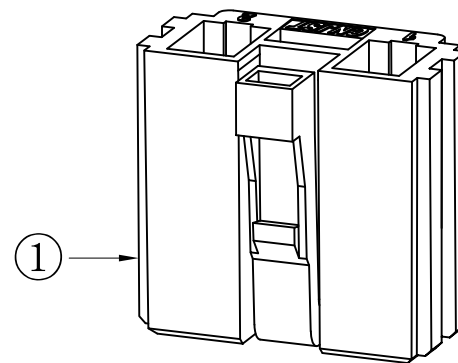


SPECIFICATION

- 1 Contact resistance:  $\leq 20m\Omega$
- 2 Insulation resistance:  $\geq 1000M\Omega$
- 3 Rated voltage: 250 V AC DC
- 4 Rated current: 7 A AC DC
- 5 Withstand Voltage: 1500V AC/minute
- 6 Temperature Range:  $-25^{\circ}C \sim +85^{\circ}C$

ORDER INFORMATION:

<b>A7921Y-02-A8K-P</b>	
PART No.	PACKAGING: P=PE
No. OF CIRCUITS: 02	PLASTIC MATERIAL: A8K=PA66 (BLACK)



专利产品

				⑤				Tolerance		<b>CNJST 捷仕泰企业</b>		Drawn: 王程伟 2022.11.23	
				④				X.X ±0.30				Model No.: A7921Y-02-A8K-P	
				③				X.XX ±0.20		Model Name: 7.92mm PITCH HOUSING		Approved: 林旭芝	
C/O	2022.11.23	统一标准, 模版更新	林旭芝	②				X.XXX ±0.10		SCALE: FULL    REVISION: C/0		DWG NO. CNJST/GCCP-0497	
B/O	2018.02.01	NEW RELEASE	徐广	①	Insulator	1	PA66 (UL94V-0)	Black	UNIT: mm				
REV.	DATE	DESCRIPTION	APPD.	NO.	DESCRIPTION	QTY	MATERIAL	PLATING/COLOR					