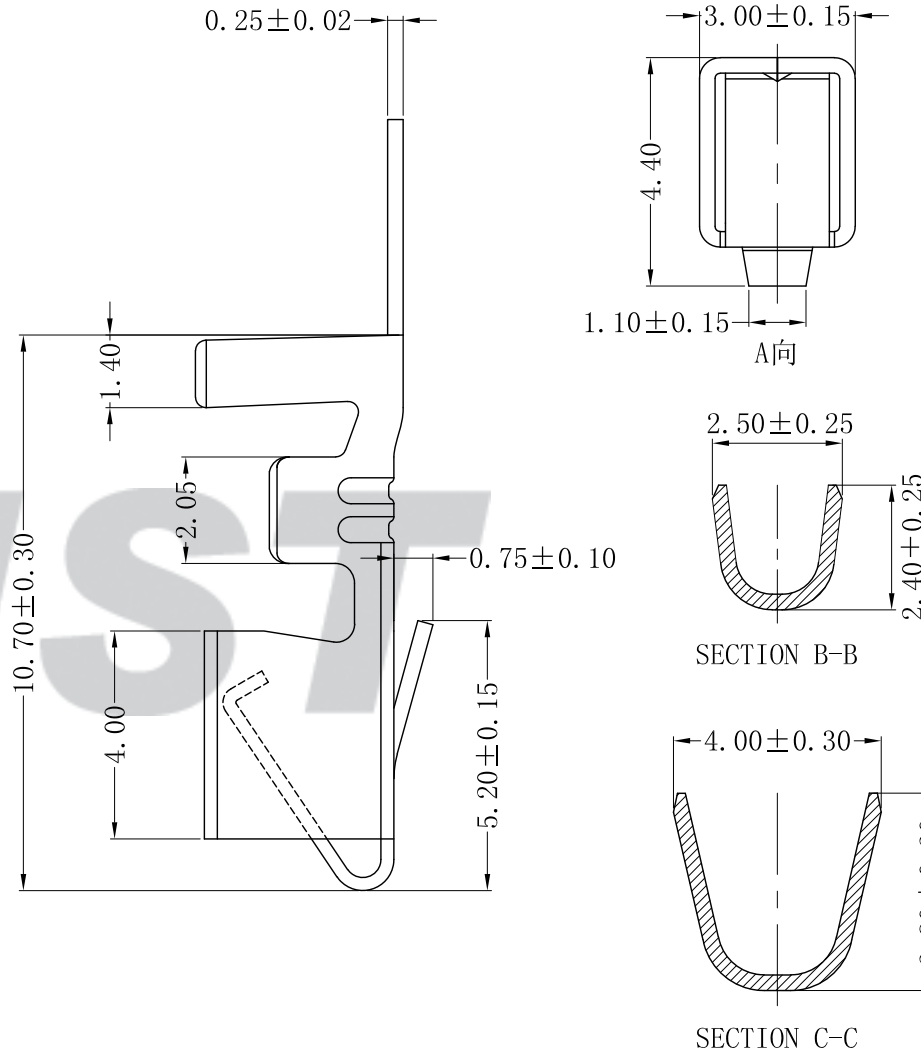
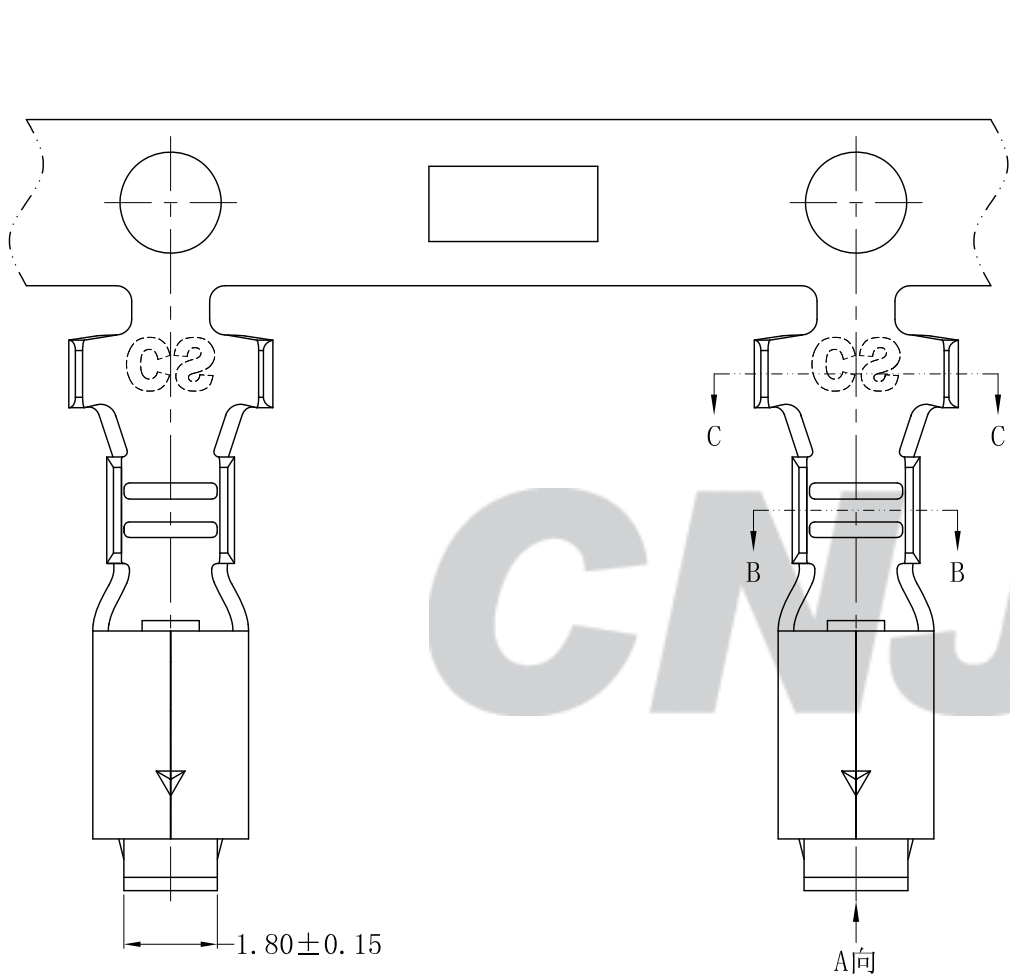


RoHS Compliant



Tolerance
 X.X ±0.30
 X.XX ±0.20
 X.XXX ±0.10
 Angle ±3.0°

CNJST 捷仕泰企业

Drawn: 王程伟 2022.07.09

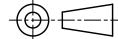
Model No: A7921T-PA-Z

Checked: 吴丹平

Model Name: 3.96mm PITCH CRIMP TERMINAL

Approved: 林旭芝

UNIT: mm



SCALE: FULL

REVISION: C/0

DWG NO. CNJST/GCDZ-0022

REV.	DATE	DESCRIPTION	APPD.	Wire Range	Insulation O.D.	QTY/Reel	Material	Plating
C/0	2022.07.09	更新模板	王程伟					
B/0	2017.09.13	NEW RELEASE	徐广	AWG #18~#22	3.00mm (Max)	3000PCS	Phosphor Bronze	Tin-plated