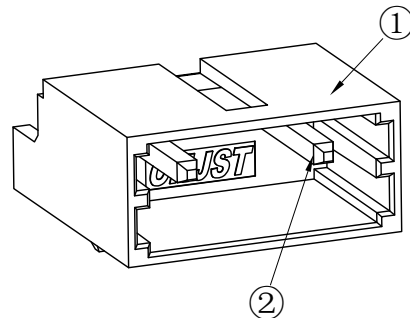
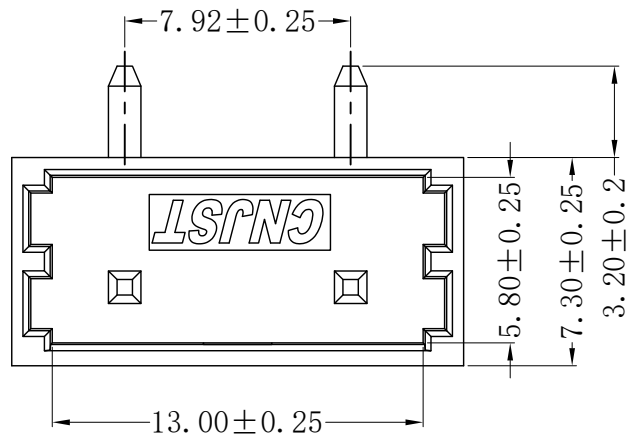


RoHS Compliant

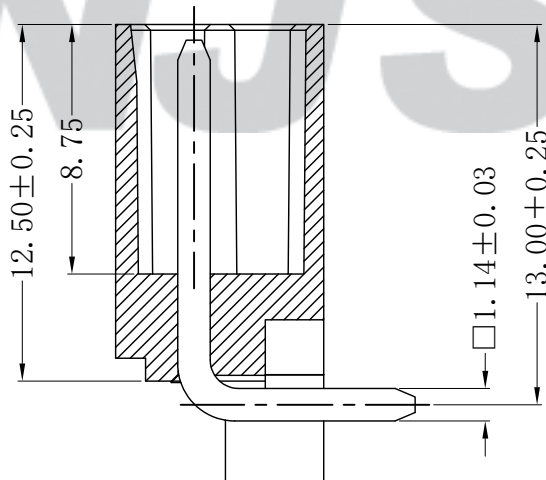
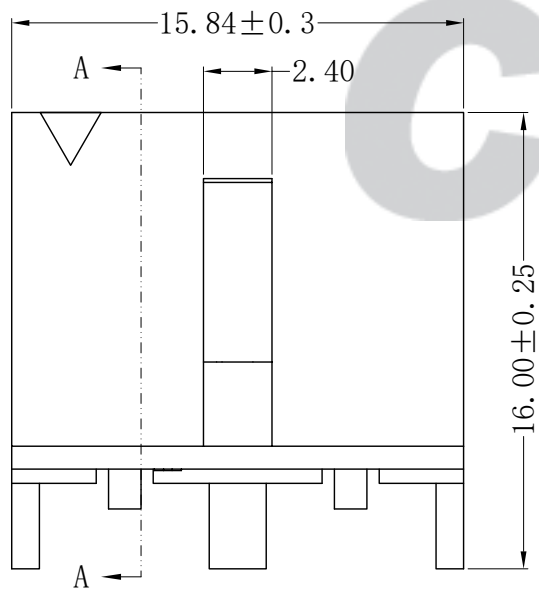


SPECIFICATION

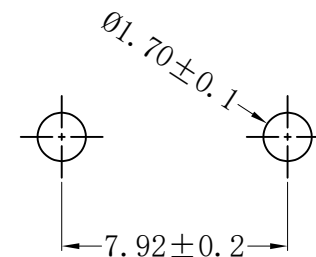
- 1 Contact resistance:  $\leq 20m\Omega$
- 2 Insulation resistance:  $\geq 1000M\Omega$
- 3 Rated voltage: 250 V AC DC
- 4 Rated current: 7 A AC DC
- 5 Withstand Voltage: 1500V AC/minute
- 6 Temperature Range:  $-25^{\circ}C \sim +85^{\circ}C$

ORDER INFORMATION:

A7921AWD-02-A1MA-P		
PART No.:		PACKAGING:
No. OF CIRCUITS:	02	P=PE
PLASTIC MATERIAL:		PLATING:
A1M=PA66 (Nature)		A=fin-plated



SECTION A-A



SUGGESTED PCB LAYOUT  
(COMPONENT SIDE)

专利产品

REV.	DATE	DESCRIPTION	APPD.	NO.	DESCRIPTION	QTY	MATERIAL	PLATING/COLOR
C/O	2022.11.23	统一标准, 模版更新	林旭芝	⑤				
B/O	2018.02.01	NEW RELEASE	徐广	④				
				③				
				②	Contacts	2	Brass	Tin-plated
				①	Insulator	1	PA66 (UL94V-0)	Nature

Tolerance	
X.X	$\pm 0.30$
X.XX	$\pm 0.20$
X.XXX	$\pm 0.10$
Angle	$\pm 3.0^{\circ}$

<b>CNJST</b> 捷仕泰企业	
Model No. : A7921AWD-02-A1MA-P	Mode1 Name: 7.92mmPITCH 90° WAFER
SCALE: FULL	REVISION: C/O

Drawn: 王程伟 2022.11.23
Checked: 吴丹平
Approved: 林旭芝
DWG NO. CNJST/GCCP-0491

UNIT: mm

