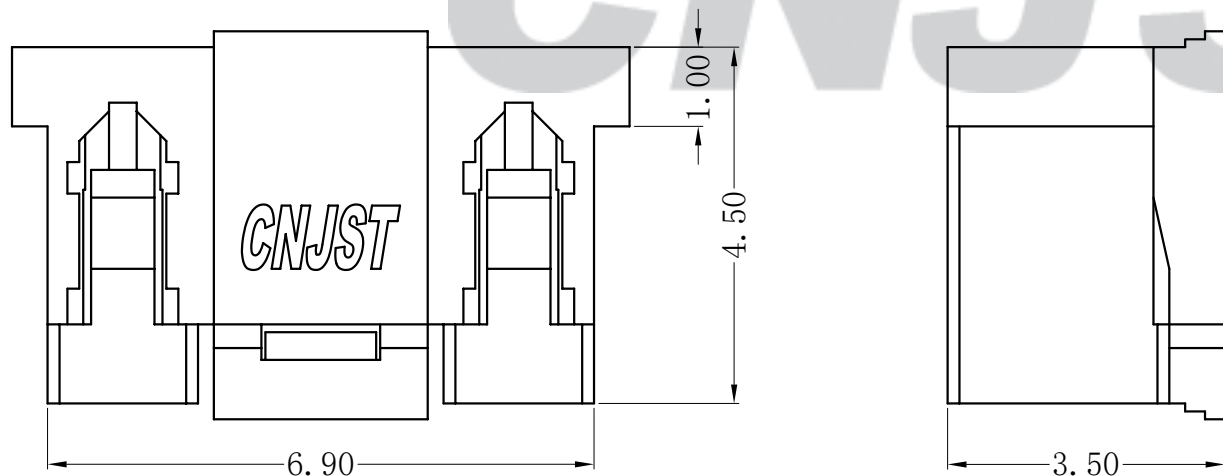
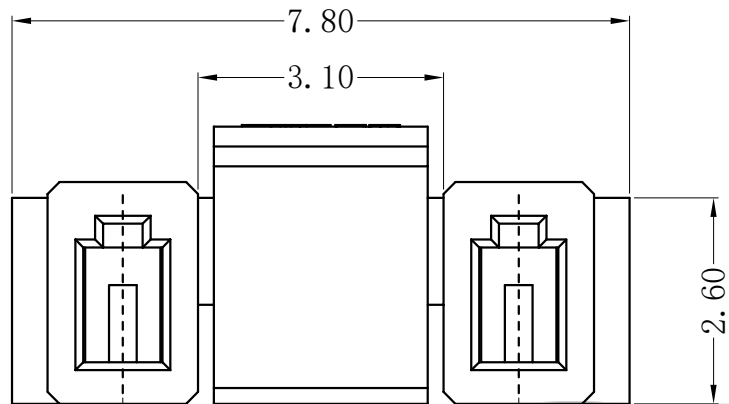


RoHS Compliant

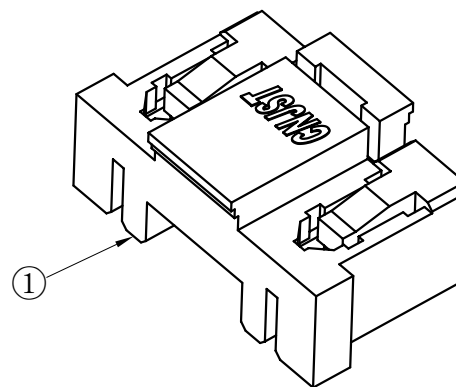


SPECIFICATION

- 1 Contact resistance: $\leq 30m\Omega$
- 2 Insulation resistance: $\geq 1000M\Omega$
- 3 Rated voltage: 400 V AC DC
- 4 Rated current: 0.75 A AC DC
- 5 Withstand Voltage: 1800V AC/minute
- 6 Temperature Range: $-25^{\circ}C \sim +85^{\circ}C$

ORDER INFORMATION:

A5002Y-02-A6W-P	
PART No.:	PACKAGING: P=PE
No. OF CIRCUITS: 02	
PLASTIC MATERIAL: A6W=PA66 (WHITE)	



专利产品

Tolerance X.X ±0.30 X.XX ±0.20 X.XXX ±0.10 Angle ±3.0°	CNJST 捷仕泰企业		Drawn: 王程伟 2022.12.29
	Model No.: A5002Y-02-A6W-P		Checked: 吴丹平
UNIT: mm	Model Name: 5.00mm pitch 90° Housing		Approved: 林旭芝
	SCALE: FULL	REVISION: C/0	DWG NO.: CNJST/GCCP-0450

REV.	DATE	DESCRIPTION	APPD.	NO.	DESCRIPTION	QTY	MATERIAL	PLATING/COLOR
C/0	2022.12.29	统一标准, 模版更新	林旭芝	①	Insulator	1	PA66 (UL94V-0)	WHITE