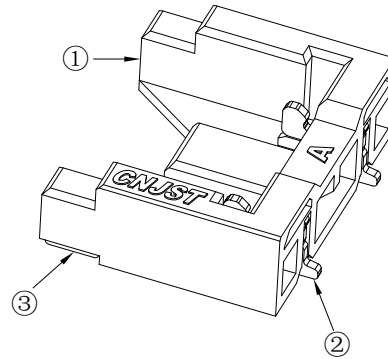
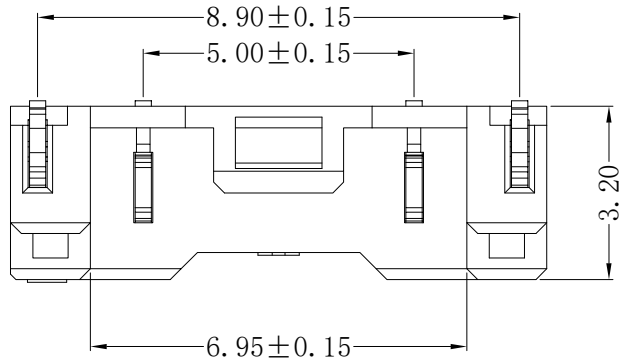


RoHS Compliant

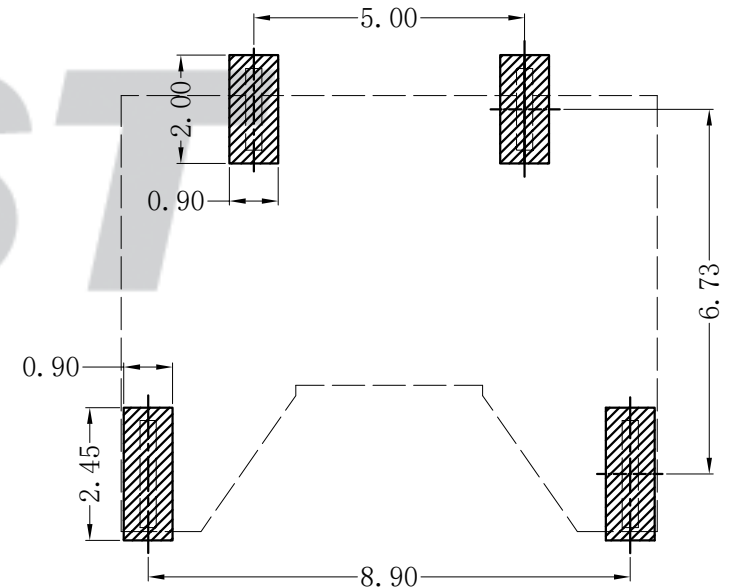
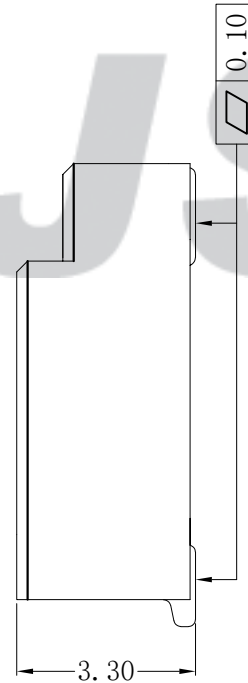
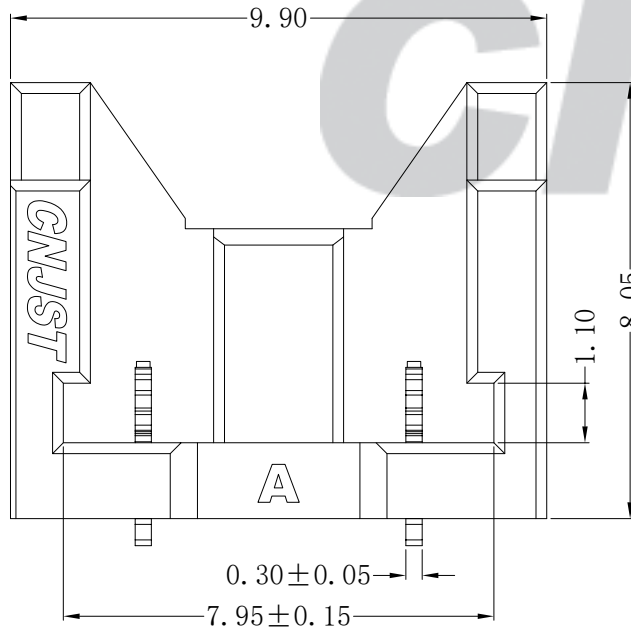


SPECIFICATION

- 1 Contact resistance: $\leq 30m\Omega$
- 2 Insulation resistance: $\geq 1000M\Omega$
- 3 Rated voltage: 400 V AC DC
- 4 Rated current: 0.75 A AC DC
- 5 Withstand Voltage: 1800V AC/minute
- 6 Temperature Range: $-25^{\circ}C \sim +85^{\circ}C$

ORDER INFORMATION:

A5002AWR-02-F2MB-R	
PART No.:	PACKAGING:
No. OF CIRCUITS:	G=TUBE
02	R=REEL
PLASTIC MATERIAL:	PLATING:
F2M=LCP	B=Mattn Sn



SUGGESTED PCB LAYOUT
(COMPONENT SIDE)

专利产品

REV.	DATE	DESCRIPTION	APPD.	NO.	DESCRIPTION	QTY	MATERIAL	PLATING/COLOR
C/O	2022.12.29	统一标准, 模版更新	林旭芝	③	Solder Tab	2	Brass	Mattn Sn
B/O	2020.11.30	NEW RELEASE	徐广	②	Contacts	2	Phosphor Bronze	Mattn Sn
				①	Insulator	1	LCP (UL94V-0)	Nature

Tolerance	
X.X	± 0.30
X.XX	± 0.20
X.XXX	± 0.10
Angle	$\pm 3.0^{\circ}$
UNIT:	mm

CNJST 捷仕泰企业	
Model No.: A5002AWR-02-F2MB-R	
Model Name: 5.00mm pitch 90° WAFER-SMT TYPE	
	SCALE: FULL
	REVISION: C/O

Drawn: 王程伟 2022.12.29
Checked: 吴丹平
Approved: 林旭芝
DWG NO.: CNJST/GCCP-0447