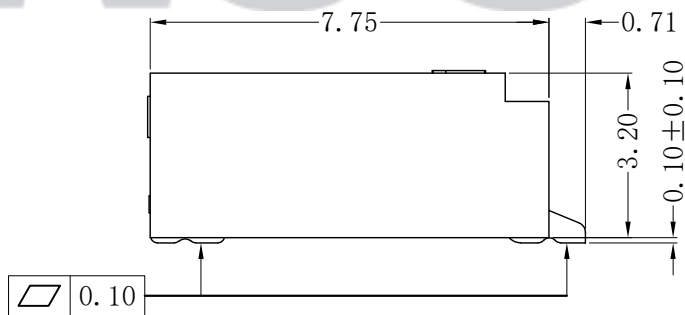
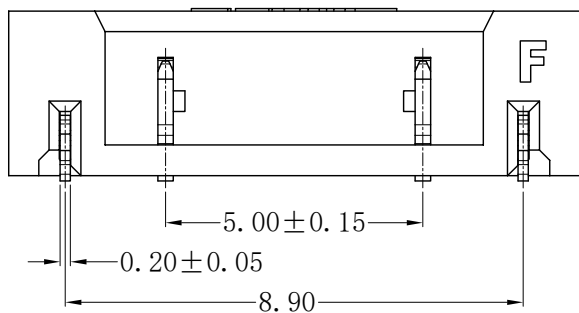
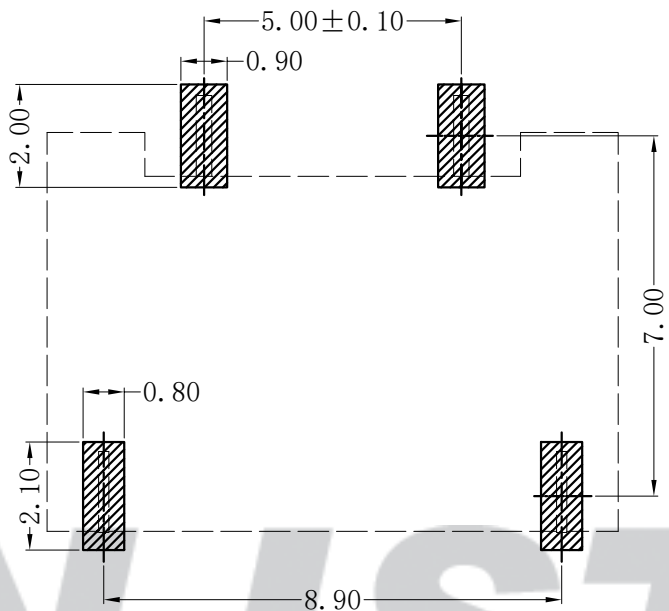
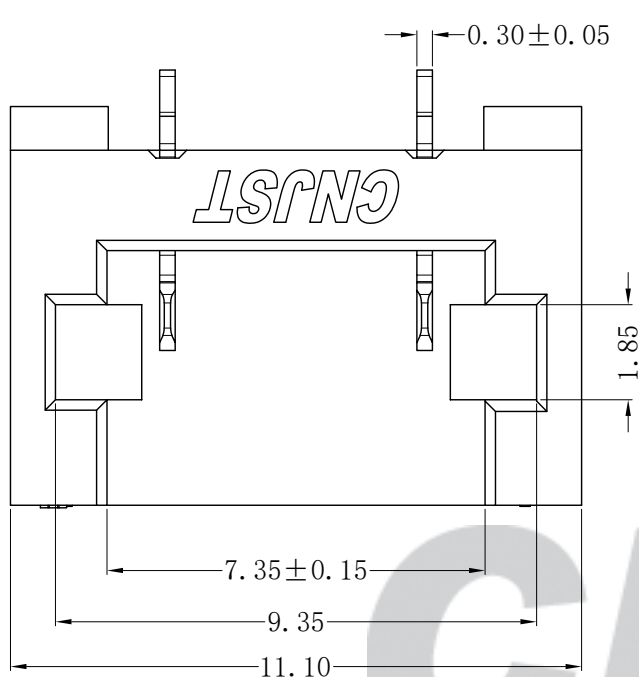


RoHS Compliant

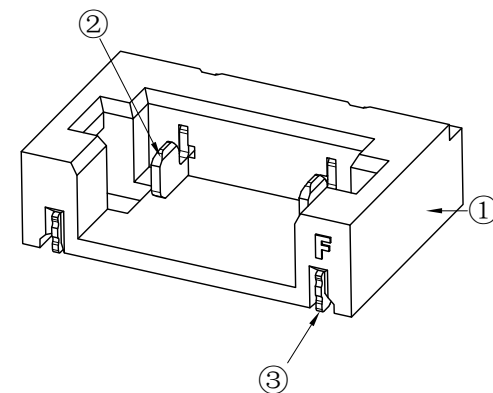


SPECIFICATION

- 1 Contact resistance: $\leq 30m\Omega$
- 2 Insulation resistance: $\geq 1000M\Omega$
- 3 Rated voltage: 400 V AC DC
- 4 Rated current: 0.75 A AC DC
- 5 Withstand Voltage: 1800V AC/minute
- 6 Temperature Range: $-25^{\circ}C \sim +85^{\circ}C$

ORDER INFORMATION:

A5001AWR-02-F2MB-R		
PART No.:		PACKAGING:
No. OF CIRCUITS:		R=REEL
02		PLATING:
PLASTIC MATERIAL:		B=Mattn Sn
F2M=LCP		



专利产品

Tolerance X.X ±0.30 X.XX ±0.20 X.XXX ±0.10 Angle ±3.0°	CNJST 捷仕泰企业		Drawn: 王程伟 2022.12.29
	Model No.: A5001AWR-02-F2MB-R		Checked: 吴丹平
	Model Name: 5.00mm pitch 90° WAFER-SMT TYPE		Approved: 林旭芝
	UNIT: mm	SCALE: FULL	REVISION: C/0
			DWG NO.: CNJST/GCCP-0446

REV.	DATE	DESCRIPTION	APPD.	NO.	DESCRIPTION	QTY	MATERIAL	PLATING/COLOR
				③	Solder Tab	2	Phosphor Bronze	Mattn Sn
C/0	2022.12.29	统一标准, 模版更新	林旭芝	②	Contacts	2	Phosphor Bronze	Mattn Sn
B/0	2020.11.30	NEW RELEASE	徐广	①	Insulator	1	LCP (UL94V-0)	Nature